



COOK

Roof Exhauster AFB-S

MARK: _____

PROJECT: _____

DATE: _____

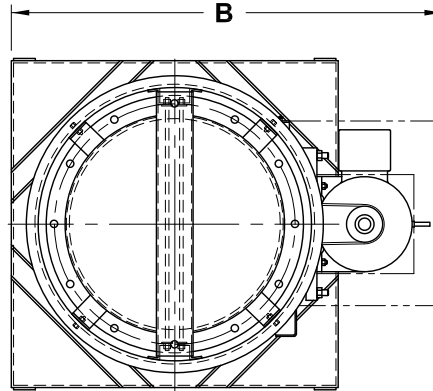


**Tube Axial Fan
Stainless Steel Construction
Roof Exhauster
Belt Drive
Arrangement 9**

DIMENSION DATA

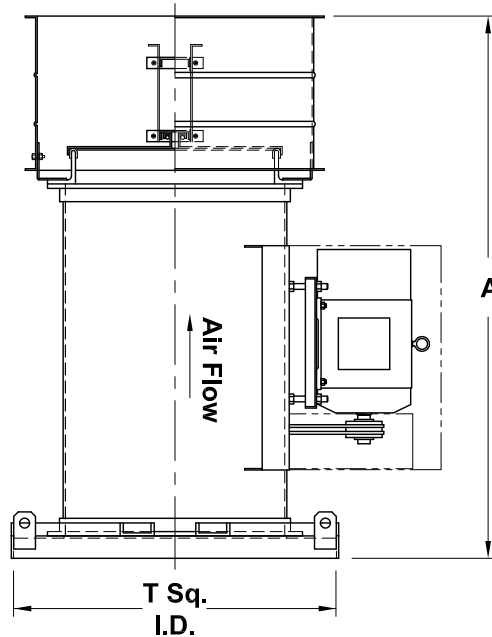
Size	A	B	T Sq.	ODP Max. Mtr. Frame	Ship Wt. less Mtr.
12	36	35-5/8	22	145T	164
14	36	36-5/8	22	182T	171
16	39	43-1/8	26	182T	213
18	47	45-1/8	28	184T	239
20	54	50-1/8	30	184T	325
24	54	57-7/8	36	213T	387
28	54	62-7/8	42	215T	457
32	63	66-1/4	42	254T	589
36	63	71-1/4	48	256T	653

ALL DIMENSIONS IN INCHES. WEIGHTS IN LBS.



STANDARD CONSTRUCTION FEATURES:

All stainless steel prop - Minimum 12 ga. 304 stainless steel housing -
Extended lube lines - Regreasable bearings in cast pillow block housing -
Shaft seal and slinger -Integral lifting lugs.



ACCESSORIES

1. INLET/OUTLET GUARD
2. INSPECTION DOOR
3. MOTOR COVER
4. HUB COVER
5. BOMBAY DOORS (N/A 12 & 14)

QTY	MARK	CATALOG NUMBER	FAN INFORMATION			MOTOR INFORMATION					ACCESSORIES			
			CFM	SP	RPM	HP	VOLTS	HZ	PH	TYPE				

**LARGEST MOTOR SHIPPED MOUNTED: ODP (OPEN DRIP-PROOF) 25 HP; 2 SP (2 SPEED) 20 HP;
X-PRF (EXPLOSION PROOF) 20 HP; TEFC (TOTALLY ENCLOSED FAN COOLED) 20 HP.**