



COOK

AFD-C

DATE: _____

PROJECT: _____

LOCATION: _____



**Tube Axial Fan
Downblast Ceiling Mount
Direct Drive
Arrangement 4**

DIMENSION DATA

Size	A	B	C	D	E	F	G	H	J	K
12	12-7/8	15-5/8	14-5/8	12 Ga.	22	5/16	6	18-1/16	3/8	12-3/4
16	16-7/8	19-5/8	18-5/8	12 Ga.	25	5/16 x 5/8	6	22-1/16	3/8	15-5/8
18	18-7/8	21-5/8	20-5/8	12 Ga.	25	5/16 x 5/8	6	24-1/16	3/8	17
24	24-7/8	29-1/8	26-7/8	10 Ga.	31	7/16 x 3/4	6	30-13/16	3/8	21-3/4
28	28-7/8	33-1/8	30-7/8	10 Ga.	31	7/16 x 3/4	6	34-13/16	3/8	24-5/8
32	33	37-1/4	35	10 Ga.	34	7/16 x 3/4	6	39-15/16	7/16	28-1/4
36	37	41-3/8	39	10 Ga.	34	7/16 x 3/4	6	43-15/16	7/16	31-1/16
44	45	49-3/8	47-1/2	10 Ga.	42	7/16 x 3/4	12	52	7/16	36-3/4
48	49-1/8	53-1/2	51-5/8	10 Ga.	42	7/16 x 3/4	12	57-1/8	7/16	40-3/8
54	55-3/8	60-3/4	57-5/8	7 Ga.	42	7/16 x 3/4	12	63-5/8	7/16	45
60	61-3/8	66-3/4	63-5/8	7 Ga.	42	7/16 x 3/4	12	69-3/8	7/16	49-1/16

Size	TEFC Max. Mtr. Frame	Ship Wt.
12	56	53
16	182T	78
18	182T	90
24	182T	140
28	184T	182
32	215T	215
36	254T	231
44	256T	347
48	284T	412
54	365T	792
60	405T	883

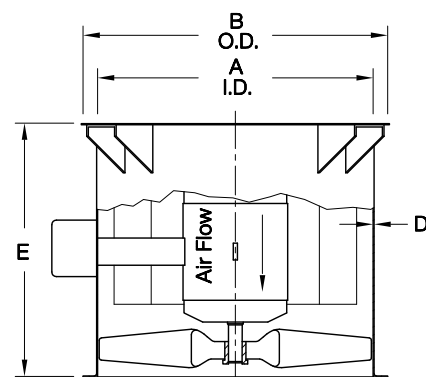
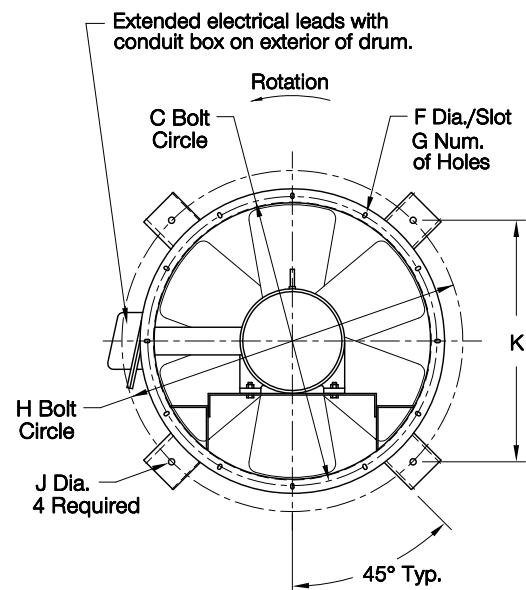
ALL DIMENSIONS IN INCHES. WEIGHTS IN LBS.

STANDARD CONSTRUCTION FEATURES:

All aluminum cast prop - Minimum 12 ga.
Lorenized steel housing - Extended lube lines.

ACCESSORIES

1. INLET/OUTLET GUARD
2. INLET/OUTLET COMPANION FLANGE
3. VIBRATION ISOLATORS
4. INLET BELL
5. INLET/OUTLET CONE
6. ACCESS DOOR
7. SOUND MUFFLER
8. VANE SECTION
9. BOMBAY DOORS



VA075R03