



COOK

Roof Exhauster VAD

DATE: _____

PROJECT: _____

LOCATION: _____

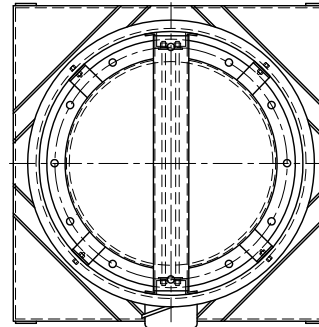


**Fixed Pitch Vane Axial
Roof Exhauster
Direct Drive
Arrangement 4**

DIMENSION DATA

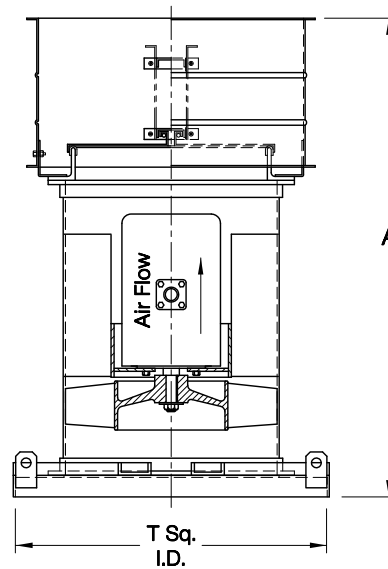
Size	A	T Sq.	ODP Max. Mtr. Frame	Ship Wt. less Mtr.
18	41	28	143TC	207
21	42	32	145TC	269
26	45	36	184TC	371
29	48	42	215TC	485
36	61	48	254TC	613
42	66	54	284TC	893
48	83-1/2	58-1/4	364TC	1036
54	87-1/2	64-1/4	405TC	1445
60	87-1/2	70-1/4	445TC	1630

ALL DIMENSIONS IN INCHES. WEIGHTS IN LBS.



STANDARD CONSTRUCTION FEATURES:

All aluminum cast prop – Minimum 10 ga.
Lorenized steel housing with integral straightening vanes – Extended lube lines – Integral lifting lugs.



ACCESSORIES

1. INLET/OUTLET GUARD
2. INSPECTION DOOR
3. HUB COVER
4. BOMBAY DOORS
5. DISCONNECT SWITCH

QTY	MARK	CATALOG NUMBER	FAN INFORMATION			MOTOR INFORMATION					ACCESSORIES							
			CFM	SP	RPM	HP	VOLTS	HZ	PH	TYPE								