



# COOK

# VAHB

DATE: \_\_\_\_\_

PROJECT: \_\_\_\_\_

LOCATION: \_\_\_\_\_



## Fixed Pitch Vane Axial Downblast Ceiling Mount Belt Drive Arrangement 9

### DIMENSION DATA

Size	A	B	C	D	E	F	G	H	J	K	L
12	12	14-13/16	13-3/8	10 Ga.	20	5/16	6	21	17-1/4	3/8	12-3/16
14	14	16-13/16	15-1/2	10 Ga.	23	5/16	6	24	19-1/4	3/8	13-5/8
18	18	21-5/16	19-3/4	10 Ga.	29	7/16 x 13/16	12	27-1/4	23-1/4	3/8	16-7/16
21	21	24-5/16	22-3/4	10 Ga.	31	7/16 x 13/16	12	31-1/2	26-1/4	3/8	18-9/16
26	26	30-7/16	28	7 Ga.	32	7/16 x 13/16	12	34-1/2	31-3/8	3/8	22-3/16
29	29	33-7/16	31	7 Ga.	36	7/16 x 13/16	12	40-1/2	35-3/8	7/16	25
36	36	40-7/16	38	7 Ga.	42	9/16 x 13/16	16	45-1/2	43-3/8	7/16	30-11/16
42	42	46-7/16	44-3/8	7 Ga.	50	9/16 x 13/16	16	50-1/2	48-3/8	7/16	34-3/16
48	48	53-7/16	50-1/2	7 Ga.	56	9/16 x 13/16	16	54	56-3/8	7/16	39-7/8
54	54	59-9/16	56-1/2	1/4	62	9/16 x 13/16	16	59-1/2	62-1/2	7/16	44-3/16
60	60	65-9/16	63-1/4	1/4	69	9/16 x 13/16	16	65	68-1/2	7/16	48-7/16

Size	ODP Max. Mtr. Frame	Ship Wt. less Mtr.
12	145T	108
14	182T	143
18	215T	202
21	254T	301
26	256T	450
29	284T	692
36	326T	906
42	364T	1286
48	365T	1759
54	405T	1941
60	444T	2218

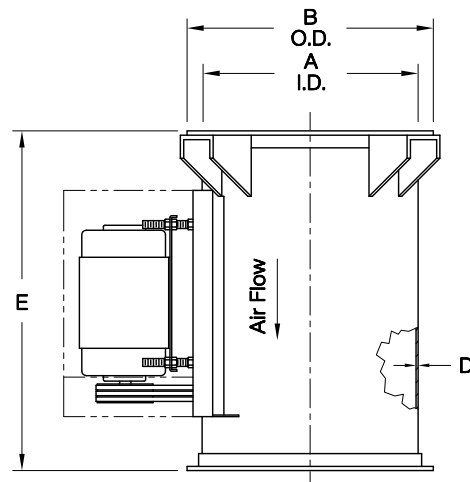
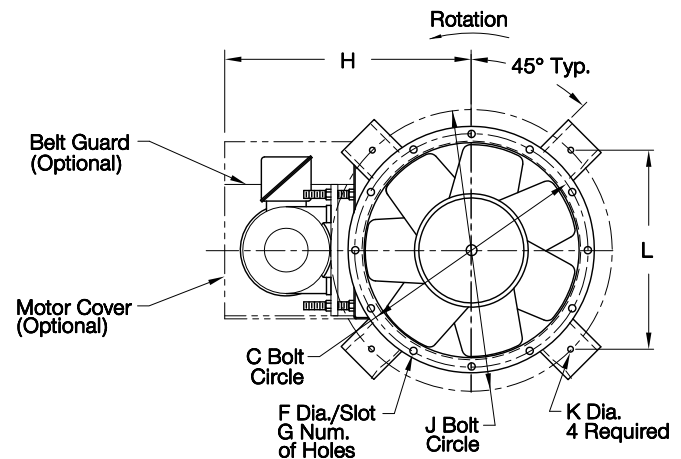
ALL DIMENSIONS IN INCHES. WEIGHTS IN LBS.

### STANDARD CONSTRUCTION FEATURES:

All aluminum cast prop - Minimum 10 ga.  
Lorenized steel housing with integral straightening vanes - Extended lube lines - Regreasable bearings in cast pillow block housing.

### ACCESSORIES

1. INLET/OUTLET GUARD
2. INLET/OUTLET COMPANION FLANGE
3. VIBRATION ISOLATORS
4. INLET BELL
5. INLET/OUTLET CONE
6. INSPECTION DOOR
7. SOUND MUFFLER
8. MOTOR COVER
9. HUB COVER
10. BELT GUARD
11. BOMBAY DOORS (N/A 12 & 14)



**LARGEST MOTOR SHIPPED MOUNTED:** ODP (OPEN DRIP-PROOF) 25 HP; 2 SP (2 SPEED) 20 HP;  
X-PRF (EXPLOSION PROOF) 20 HP; TEFC (TOTALLY ENCLOSED FAN COOLED) 20 HP.

VA095R04