



COOK

VAHB

DATE: _____
 PROJECT: _____
 LOCATION: _____



Fixed Pitch Vane Axial Vertical Wall Mount Belt Drive Arrangement 9

DIMENSION DATA

Size	A	B	C	D	E	F	G	H	J	K	L	M
12	12	14-13/16	13-3/8	10 Ga.	20	5/16	6	21	7/8	18-1/4	9-1/8	14-9/16
14	14	16-13/16	15-1/2	10 Ga.	23	5/16	6	24	7/8	21-1/4	10-1/8	16-9/16
18	18	21-5/16	19-3/4	10 Ga.	29	7/16 x 13/16	12	27-1/4	7/8	27-1/4	12-7/16	21
21	21	24-5/16	22-3/4	10 Ga.	31	7/16 x 13/16	12	31-1/2	7/8	29-1/4	13-15/16	24
26	26	30-7/16	28	7 Ga.	32	7/16 x 13/16	12	34-1/2	15/16	30-1/8	16-11/16	29-9/16
29	29	33-7/16	31	7 Ga.	36	7/16 x 13/16	12	40-1/2	15/16	34-1/8	18-1/4	32-5/8
36	36	40-7/16	38	7 Ga.	42	9/16 x 13/16	16	45-1/2	15/16	40-1/8	22-1/4	40-5/8
42	42	46-7/16	44-3/8	7 Ga.	50	9/16 x 13/16	16	50-1/2	15/16	48-1/8	25-3/16	46-3/4
48	48	53-7/16	50-1/2	7 Ga.	56	9/16 x 13/16	16	54	15/16	54-1/8	28-1/4	52-3/4
54	54	59-9/16	56-1/2	1/4	62	9/16 x 13/16	16	59-1/2	1	60	31-1/4	59
60	60	65-9/16	63-1/4	1/4	69	9/16 x 13/16	16	65	1	67	35-1/4	66

Size	N	P	ODP Max. Mtr. Frame	Ship Wt. less Mtr.
12	5-5/16	5/16	145T	108
14	6-5/16	5/16	182T	143
18	8-1/2	7/16	215T	202
21	10	7/16	254T	301
26	12-13/16	7/16	256T	450
29	14-5/16	7/16	284T	692
36	18-5/16	9/16	326T	906
42	21-3/8	9/16	364T	1286
48	24-3/8	9/16	365T	1759
54	27-1/2	9/16	405T	1941
60	31	9/16	444T	2218

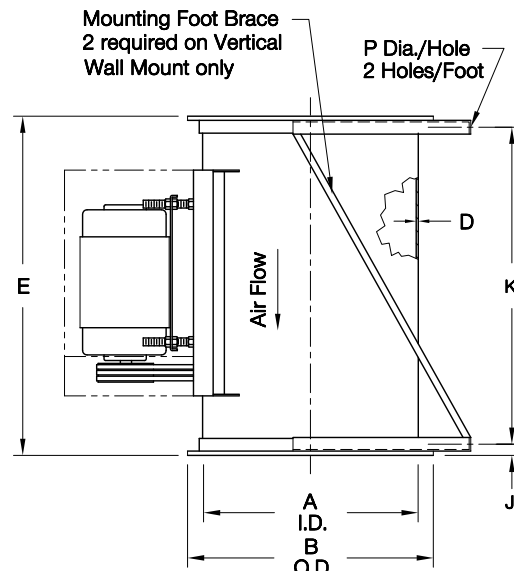
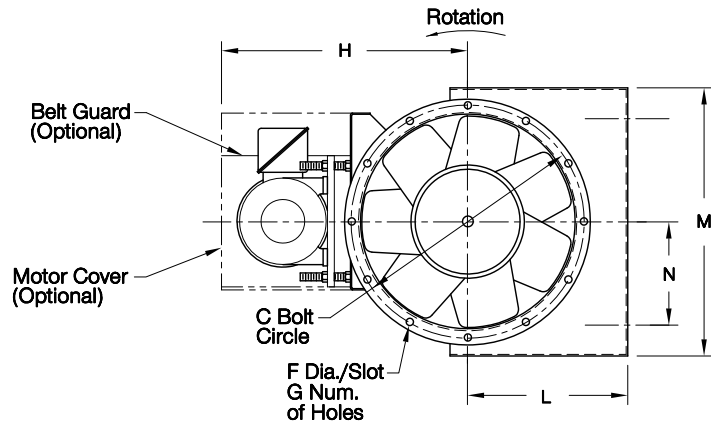
ALL DIMENSIONS IN INCHES. WEIGHTS IN LBS.

STANDARD CONSTRUCTION FEATURES:

All aluminum cast prop - Minimum 10 ga.
 Lorenized steel housing with integral straightening vanes - Extended lube lines - Regreasable bearings in cast pillow block housing.

ACCESSORIES

1. INLET/OUTLET GUARD
2. INLET/OUTLET COMPANION FLANGE
3. VIBRATION ISOLATORS
4. INLET BELL
5. INLET/OUTLET CONE
6. INSPECTION DOOR
7. SOUND MUFFLER
8. MOTOR COVER
9. HUB COVER
10. BELT GUARD
11. BOMBAY DOORS (N/A 12 & 14)



LARGEST MOTOR SHIPPED MOUNTED: ODP (OPEN DRIP-PROOF) 25 HP; 2 SP (2 SPEED) 20 HP;
 X-PRF (EXPLOSION PROOF) 20 HP; TEFC (TOTALLY ENCLOSED FAN COOLED) 20 HP.

VA096R04