



COOK

CURB BASE

DATE: _____

Accessory Data Sheet

PROJECT: _____ Pre-Production

AVAB / AVAD

LOCATION: _____ Subject to Change

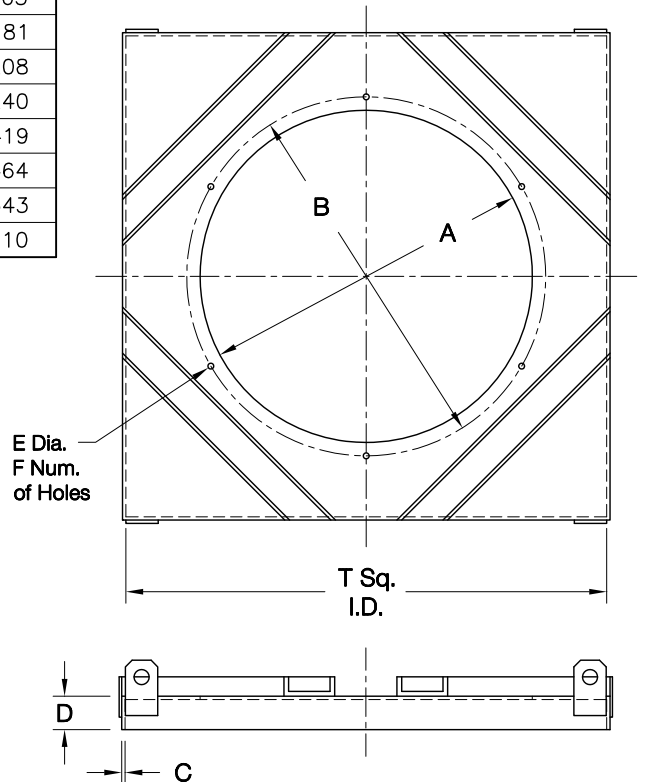
DIMENSION DATA

Size	A	B	C	D	E	F	T Sq.	Ship Wt.
35	35-1/2	38	1/4	2-1/2	9/16	12	46	165
39	39-3/8	41-7/8	1/4	2-1/2	9/16	12	50	181
44	44-1/8	47-3/8	1/4	2-1/2	9/16	12	55-1/2	208
49	49-1/4	52-1/2	1/4	3	9/16	12	60-1/2	240
57	57-1/8	60-3/8	3/8	3	9/16	12	68-1/2	419
63	63	66-1/4	3/8	3	11/16	16	74-1/4	464
71	70-7/8	75	3/8	3	11/16	16	83	543
79	78-3/4	82-7/8	3/8	3	11/16	16	91	610

ALL DIMENSIONS IN INCHES. WEIGHTS IN LBS.

STANDARD CONSTRUCTION FEATURES:

- Welded steel construction -
- Lorenized steel housing -
- Integral lifting lugs.



QTY	MARK	CATALOG NUMBER	FAN INFORMATION			MOTOR INFORMATION					ACCESSORIES							
			CFM	SP	RPM	HP	VOLTS	HZ	PH	TYPE								