



COOK

Roof Exhauster AVAB

DATE: _____

PROJECT: _____

LOCATION: _____



**Adjustable Pitch Vane Axial
Roof Exhauster
Belt Drive
Arrangement 9**

DIMENSION DATA

Size	A	B	T Sq.	ODP Max. Mtr. Frame	Ship Wt. less Mtr.
35	72	58-1/8	46	326T	990
39	72	62-1/8	50	365T	1250
44	76	70-3/8	55-1/2	445T	1481
49	88-1/2	73-13/16	60-1/2	445T	1940
57	102-1/2	78-7/8	68-1/2	445T	2614
63	102-1/2	83-7/8	74-1/4	445T	2929
71	113-1/2	105-3/4	83	445T	4968
79	117-5/8	112-3/4	91	445T	5505

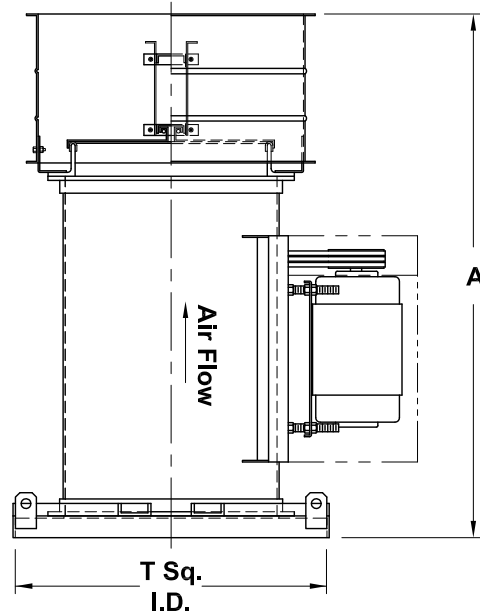
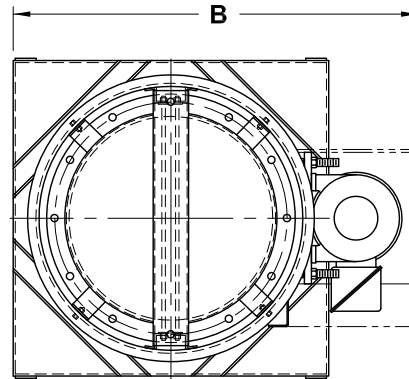
ALL DIMENSIONS IN INCHES. WEIGHTS IN LBS.

STANDARD CONSTRUCTION FEATURES:

All aluminum adjustable pitch cast prop -
Minimum 3/16 ga. Lorenized steel housing with integral straightening vanes - Extended lube lines - Regreasable bearings in cast pillow block housing - Integral lifting lugs.

ACCESSORIES

1. INLET/OUTLET GUARD
2. INSPECTION DOOR
3. MOTOR COVER
4. HUB COVER
5. BOMBAY DOORS (N/A 12 & 14)



QTY	MARK	CATALOG NUMBER	FAN INFORMATION			MOTOR INFORMATION					ACCESSORIES							
			CFM	SP	RPM	HP	VOLTS	HZ	PH	TYPE								

LARGEST MOTOR SHIPPED MOUNTED: ODP (OPEN DRIP-PROOF) 25 HP; 2 SP (2 SPEED) 20 HP; X-PRF (EXPLOSION PROOF) 20 HP; TEFC (TOTALLY ENCLOSED FAN COOLED) 20 HP.

VA109R01