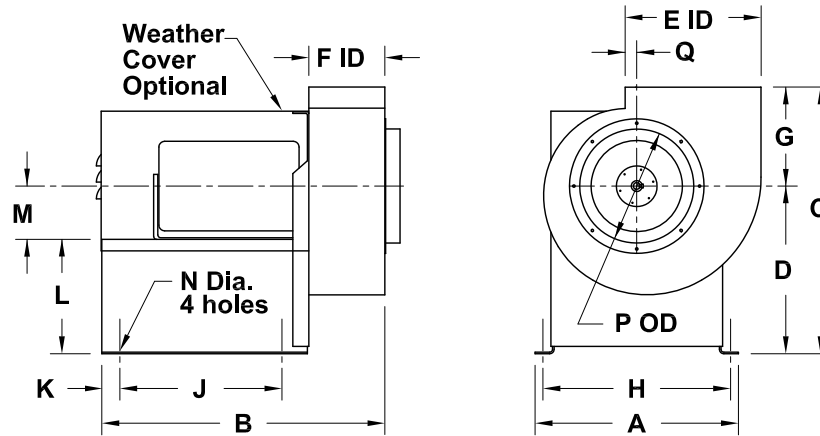


DATE: \_\_\_\_\_  
 PROJECT: \_\_\_\_\_  
 LOCATION: \_\_\_\_\_



**Forward Curved  
 Centrifugal Blower  
 Direct Drive  
 Clockwise Upblast  
 Arrangement 4**



**DIMENSION DATA**

Size	A	B	C Min.	C Max.	D Min.	D Max.	E	F	G	H	J	K
6	13-1/2	18-1/2	13-3/8	13-7/8	7-5/8	8-1/8	7-7/8	4-5/8	5-3/4	12-1/2	10-3/4	1
7	13-1/2	20-1/4	16-1/4	16-3/4	10-1/8	10-5/8	8-3/8	5-3/8	6-1/8	12-1/2	12-1/4	1
9	14	21-3/4	18-1/8	18-1/8	11-1/8	11-1/8	9-7/8	5-7/8	7	12-3/4	13-3/4	1
10	15-1/2	22-1/4	21-3/8	22-3/8	13-3/8	14-3/8	11-3/8	6-3/8	8	14-1/4	13-3/4	1
12	17	22-3/4	22-3/8	23-3/8	13-3/8	14-3/8	13-3/8	5-7/8	9	15-3/4	14-1/4	1

Size	L	M Min.	M Max.	N	P	Q	Material Gauges				Unit Wt.
							Base	Side Panel	Scroll		
									Sides	Wrapper	
6	4-5/8	2-7/8	3-5/8	7/16	7	1/2	14	14	16	20	21
7	7-1/8	2-7/8	3-5/8	7/16	7	5/8	14	14	16	20	25
9	7-5/8	3-3/8	4-5/8	9/16	9	3/4	12	14	16	20	35
10	9-7/8	3-3/8	4-5/8	9/16	9	1-1/16	12	12	16	20	50
12	9-7/8	3-3/8	4-5/8	9/16	12-1/2	1	10	12	16	20	65

ALL DIMENSIONS IN INCHES. WEIGHTS IN LBS., LESS MOTOR.  
 DIMENSIONS C, D, AND M VARY WITH MOTOR FRAME SIZE.