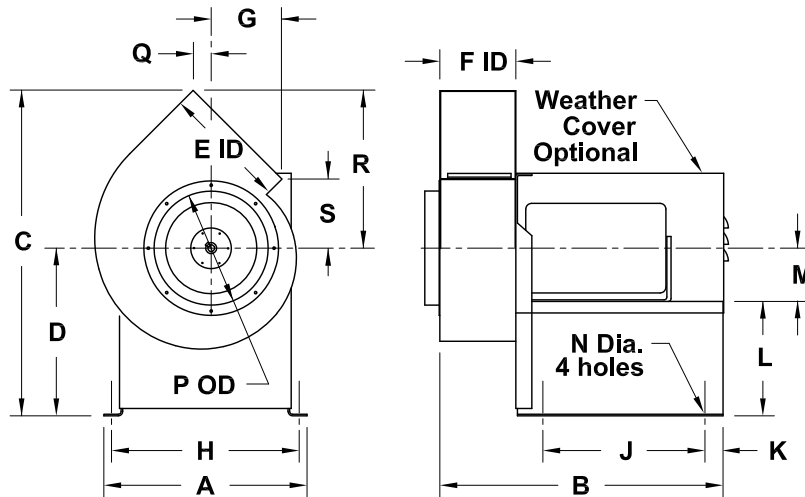


DATE: \_\_\_\_\_  
 PROJECT: \_\_\_\_\_  
 LOCATION: \_\_\_\_\_



**Forward Curved  
 Centrifugal Blower  
 Direct Drive  
 Counterclockwise Top Angular Up  
 Arrangement 4**



**DIMENSION DATA**

Size	A	B	C Min.	C Max.	D Min.	D Max.	E	F	G	H	J	K
6	13-1/2	18-1/2	17-1/8	17-5/8	7-5/8	8-1/8	7-7/8	4-5/8	4-3/8	12-1/2	10-3/4	1
7	13-1/2	20-1/4	20-1/8	20-5/8	10-1/8	10-5/8	8-3/8	5-3/8	4-3/4	12-1/2	12-1/4	1
9	14	21-3/4	22-3/4	22-3/4	11-1/8	11-1/8	9-7/8	5-7/8	5-1/2	12-3/4	13-3/4	1
10	15-1/2	22-1/4	26-9/16	27-9/16	13-3/8	14-3/8	11-3/8	6-3/8	6-7/16	14-1/4	13-3/4	1
12	17	22-3/4	28-3/4	29-3/4	13-3/8	14-3/8	13-3/8	5-7/8	7-1/16	15-3/4	14-1/4	1

Size	L	M Min.	M Max.	N	P	Q	R	S	Material Gauges				Unit Wt.
									Base	Side Panel	Scroll Sides	Wrapper	
6	4-5/8	2-7/8	3-5/8	7/16	7	1-1/4	9-3/8	3-11/16	14	14	16	20	21
7	7-1/8	2-7/8	3-5/8	7/16	7	1-1/4	9-7/8	3-7/8	14	14	16	20	25
9	7-5/8	3-3/8	4-5/8	9/16	9	1-9/16	11-1/2	4-3/8	12	14	16	20	35
10	9-7/8	3-3/8	4-5/8	9/16	9	1-3/4	13-1/16	4-15/16	12	12	16	20	50
12	9-7/8	3-3/8	4-5/8	9/16	12-1/2	2-1/2	15-3/16	5-11/16	10	12	16	20	65

ALL DIMENSIONS IN INCHES. WEIGHTS IN LBS., LESS MOTOR.  
 DIMENSIONS C, D, AND M VARY WITH MOTOR FRAME SIZE.