



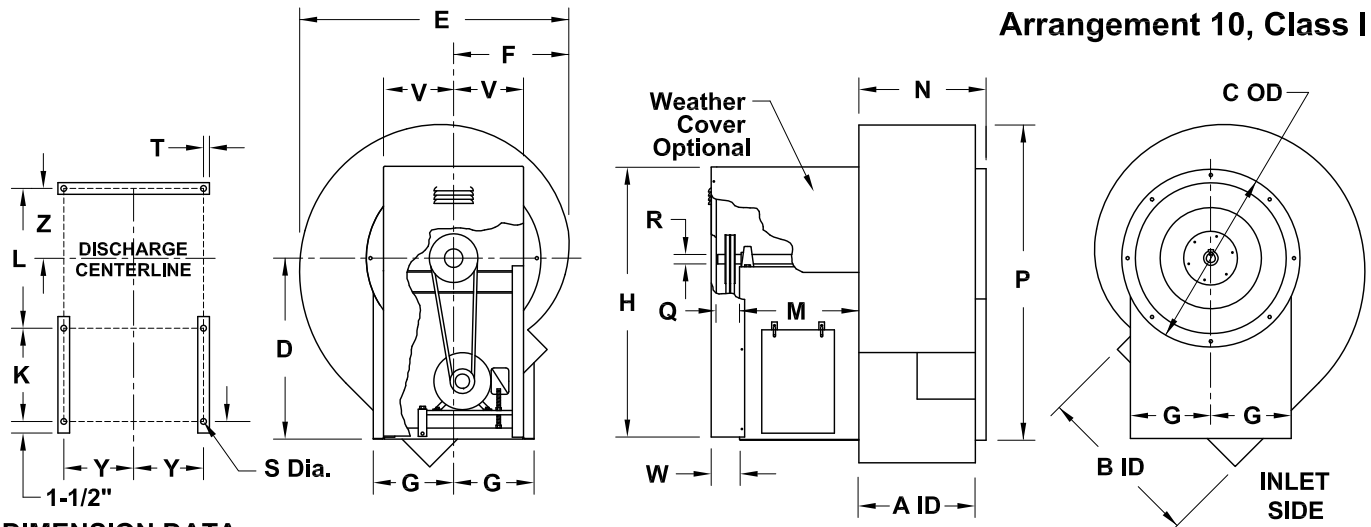
COOK

CPS-A/CPA-A

DATE: _____
 PROJECT: _____
 LOCATION: _____



**Airfoil Centrifugal Blower
 Counterclockwise
 Bottom Angular Down
 Arrangement 10, Class I**



DIMENSION DATA

Size	A	B	C	D	E	F	G	H*	K	L	M
120	9-3/16	13-1/8	16-1/8	18	21-7/8	9-9/16	9-3/8	26-1/4	10	11-7/8	13-1/8
135	10-5/16	14-3/4	17-5/8	18	23-15/16	10-1/8	9-3/8	27	12	13	15-1/8
150	11-7/16	16-7/16	19-1/8	19-1/16	26-5/8	11-1/4	9-3/8	29-1/16	12	14-1/8	15-1/8
165	12-5/8	18-1/16	21-3/16	20-7/16	29-3/16	12-5/16	9-3/8	31-7/16	12	15-5/16	15-1/8
180	13-3/4	19-11/16	22-11/16	22-1/16	31-13/16	13-7/16	10-3/8	33-9/16	12	16-7/16	15-1/8
195	14-15/16	21-5/16	24-3/16	23-11/16	34-7/16	14-9/16	10-3/8	35-11/16	15	17-5/8	18-1/8
210	16-1/16	23	25-15/16	25-3/8	37-1/8	15-11/16	11-3/8	38-7/8	15	18-3/4	18-1/8
225	17-3/16	24-5/8	27-7/16	27	39-13/16	16-13/16	11-7/8	41	15	19-7/8	18-1/8
245	18-3/4	26-13/16	29-7/16	29-5/8	43-1/4	18-1/4	13-3/8	44-5/8	15	21-11/16	18-1/8
270	20-5/8	29-9/16	31-15/16	32-3/8	47-11/16	20-1/8	14-3/8	48-7/8	18	23-9/16	21-1/8
300	22-15/16	32-13/16	34-15/16	35-5/8	53	22-3/8	15-5/16	53-5/8	18	26	21-3/16
330	25-1/4	36-1/8	37-15/16	38-7/8	58-3/8	24-5/8	16-13/16	58-3/8	18	28-5/16	21-3/16
365	27-7/8	39-15/16	41-7/16	42-3/4	64-7/16	27-3/16	17-13/16	64-1/4	21	30-15/16	24-3/16
402	30-3/4	44-1/16	45-3/16	46-3/4	71	29-15/16	19-13/16	70-1/4	21	34-5/16	24-3/16
445	34	48-11/16	49-7/16	51-3/8	78-9/16	33-1/8	21-13/16	76-7/8	25	37-9/16	28-3/16
490	37-7/16	53-5/8	55	56-1/4	86-3/8	36-7/16	23-13/16	84-1/4	25	41	28-3/16

Size	N	P*	Q	R	S	T	V*	W	Y	Z	Max Mtr Frame	Ship Wt. CPS-A/CPA-A	
120	11	28-11/16	3	1	9/16	3/4	8	4	8-5/8	5-7/16	184T	225	163
135	12-1/8	30	3	1	9/16	3/4	8	4	8-5/8	6	184T	260	191
150	13-1/4	32-3/8	3	1	9/16	3/4	8	4	8-5/8	6-9/16	184T	297	222
165	14-7/16	35-11/16	3	1	9/16	3/4	8	4	8-5/8	7-3/16	184T	341	253
180	15-9/16	38	3	1-3/16	9/16	3/4	9	4	9-5/8	7-3/4	215T	404	286
195	16-3/4	40-15/16	3	1-3/16	9/16	3/4	9	4	9-5/8	8-5/16	215T	450	320
210	17-7/8	44	4	1-7/16	9/16	3/4	10	5	10-5/8	8-7/8	215T	499	353
225	19	46-15/16	4	1-7/16	9/16	3/4	10-1/2	5	11-1/8	9-7/16	215T	547	391
245	21-1/16	51-5/16	4	1-11/16	11/16	1	11-1/2	5	12-3/8	10-1/2	215T	620	442
270	22-15/16	56-5/16	4	1-11/16	11/16	1	12-1/2	5	13-3/8	11-7/16	256T	736	505
300	25-5/16	62-3/16	4	1-15/16	11/16	1	13-1/2	5	14-5/16	12-5/8	256T	897	585
330	27-5/8	68-1/8	4	1-15/16	13/16	1	15	5	15-13/16	13-3/4	256T	1056	670
365	30-1/4	74-15/16	5	2-3/16	13/16	1	16	6	16-13/16	15-1/16	324T	1277	783
402	34-1/8	82-3/8	5	2-3/16	13/16	1	18	6	18-13/16	17	324T	1556	898
445	37-3/8	90-3/4	5	2-7/16	13/16	1	20	6	20-13/16	18-5/8	326T	1984	1040
490	40-13/16	99-9/16	5	2-7/16	13/16	1	22	6	22-13/16	20-3/8	326T	2375	1191

ALL DIMENSIONS IN INCHES. WEIGHTS IN LBS., LESS MOTOR. * REFERENCE DIMENSION.

VS416R04