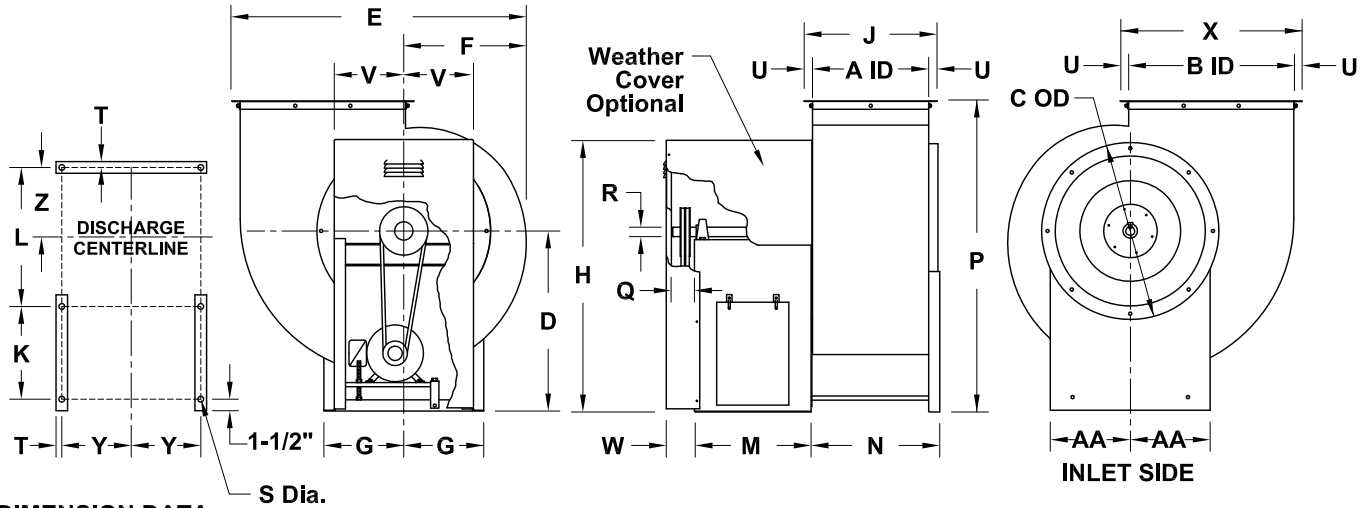


DATE: _____
 PROJECT: _____
 LOCATION: _____



Flat Blade Centrifugal Blower
Clockwise Up-Blast
Arrangement 10, Class II



DIMENSION DATA

| Size | A | B | C | D | E | F | G | H | J | K | L | M | N |
|------|----------|----------|----------|--------|----------|----------|----------|--------|----------|--------|----------|---------|----------|
| 120 | 9-3/16 | 13-1/8 | 16-1/8 | 22 | 24-7/16 | 9-13/16 | 10-3/8 | 30-1/4 | 12-3/8 | 18 | 12-5/16 | 21-1/8 | 11-1/4 |
| 135 | 10-5/16 | 14-3/4 | 17-5/8 | 22 | 27-5/16 | 11-1/16 | 10-3/8 | 31 | 13-1/2 | 18 | 13-7/16 | 21-1/8 | 12-3/8 |
| 150 | 11-7/16 | 16-7/16 | 19-1/8 | 22 | 30-1/8 | 12-1/4 | 10-7/8 | 32 | 14-5/8 | 18 | 14-9/16 | 21-1/8 | 13-1/2 |
| 165 | 12-5/8 | 18-1/16 | 21-3/16 | 24 | 32-15/16 | 13-7/16 | 13 | 35 | 15-13/16 | 22-1/8 | 16-1/8 | 25-1/4 | 15-1/16 |
| 180 | 13-3/4 | 19-11/16 | 22-11/16 | 24 | 35-13/16 | 14-11/16 | 13 | 35-1/2 | 16-15/16 | 22-1/8 | 17-1/4 | 25-1/4 | 16-3/16 |
| 195 | 14-15/16 | 21-5/16 | 24-3/16 | 24-1/4 | 38-5/8 | 15-7/8 | 13-3/4 | 36-1/4 | 18-3/16 | 22-1/8 | 18-1/2 | 25-1/4 | 17-3/8 |
| 210 | 16-1/16 | 23 | 25-15/16 | 25-3/8 | 41-5/8 | 17-3/16 | 13-3/4 | 39 | 19-5/16 | 22-1/8 | 19-5/8 | 25-1/4 | 18-1/2 |
| 225 | 17-3/16 | 24-5/8 | 27-7/16 | 27 | 44-7/16 | 18-3/8 | 13-7/8 | 41 | 20-7/16 | 22-1/8 | 20-7/8 | 25-1/4 | 19-3/4 |
| 245 | 18-3/4 | 26-13/16 | 29-7/16 | 29-5/8 | 48-5/8 | 19-15/16 | 14-15/16 | 44-5/8 | 23 | 24-1/8 | 22-5/16 | 27-5/16 | 21-5/16 |
| 270 | 20-5/8 | 29-9/16 | 31-15/16 | 32-3/8 | 53-7/16 | 22 | 15-7/16 | 48-7/8 | 24-7/8 | 24-1/8 | 24-11/16 | 27-5/16 | 23-11/16 |
| 300 | 22-15/16 | 32-13/16 | 34-15/16 | 35-5/8 | 59-1/4 | 24-1/2 | 16-1/16 | 53-5/8 | 27-3/16 | 26 | 27-3/16 | 29-3/16 | 26-3/16 |
| 330 | 25-1/4 | 36-1/8 | 37-15/16 | 38-7/8 | 64-15/16 | 26-15/16 | 17-5/8 | 58-3/8 | 29-7/16 | 26 | 29-9/16 | 29-3/16 | 28-9/16 |
| 365 | 27-7/8 | 39-15/16 | 41-7/16 | 42-3/4 | 71-3/8 | 29-5/8 | 18-13/16 | 64-1/4 | 32-1/16 | 26 | 32-9/16 | 29-1/4 | 31-7/16 |

| Size | P | Q | R | S | T | U | V | W | X | Y | Z | AA | Max Mtr Frame | Ship Wt. | |
|------|----------|---|---------|-------|-----|-------|----------|---|----------|----------|---------|----------|---------------|----------|------|
| | | | | | | | | | | | | | | CPS | CPA |
| 120 | 35-3/8 | 3 | 1-7/16 | 9/16 | 3/4 | 1-5/8 | 9 | 4 | 16-5/16 | 9-5/8 | 5-9/16 | 10-1/2 | 215T | 374 | 303 |
| 135 | 35 7/8 | 3 | 1-7/16 | 9/16 | 3/4 | 1-5/8 | 9 | 4 | 17-15/16 | 9-5/8 | 6-1/8 | 10-7/16 | 215T | 391 | 312 |
| 150 | 37-5/16 | 3 | 1-7/16 | 9/16 | 3/4 | 1-5/8 | 9-1/2 | 4 | 19-5/8 | 10-1/8 | 6-11/16 | 10-15/16 | 256T | 434 | 344 |
| 165 | 40-3/8 | 3 | 1-7/16 | 9/16 | 3/4 | 1-5/8 | 11-1/4 | 4 | 21-1/4 | 12-1/4 | 7-5/8 | 13-1/16 | 256T | 537 | 435 |
| 180 | 41-5/8 | 3 | 1-11/16 | 9/16 | 3/4 | 1-5/8 | 11-1/4 | 4 | 22-7/8 | 12-1/4 | 8-3/16 | 13-1/16 | 256T | 605 | 467 |
| 195 | 42-11/16 | 3 | 1-11/16 | 9/16 | 3/4 | 1-5/8 | 12 | 4 | 24-1/2 | 13 | 8-13/16 | 13-7/8 | 256T | 657 | 503 |
| 210 | 45-3/8 | 4 | 1-11/16 | 9/16 | 3/4 | 1-5/8 | 12 | 5 | 26-3/16 | 13 | 9-3/8 | 13-7/8 | 256T | 696 | 527 |
| 225 | 47-5/8 | 4 | 1-11/16 | 9/16 | 3/4 | 1-5/8 | 12-1/16 | 5 | 27-13/16 | 13-1/8 | 10-1/16 | 14-1/8 | 256T | 783 | 595 |
| 245 | 51-3/8 | 4 | 1-15/16 | 11/16 | 1 | 2-1/8 | 13-1/8 | 5 | 31 | 13-15/16 | 10-5/8 | 14-15/16 | 256T | 958 | 734 |
| 270 | 55-3/4 | 4 | 1-15/16 | 11/16 | 1 | 2-1/8 | 13-1/8 | 5 | 33-3/4 | 14-7/16 | 12-1/16 | 15-11/16 | 286T | 1073 | 798 |
| 300 | 61-1/2 | 4 | 2-3/16 | 11/16 | 1 | 2-1/8 | 13-11/16 | 5 | 37 | 15-1/16 | 13-5/16 | 16-5/16 | 286T | 1317 | 942 |
| 330 | 67-5/16 | 4 | 2-3/16 | 13/16 | 1 | 2-1/8 | 15-1/4 | 5 | 40-5/16 | 16-5/8 | 14-9/16 | 18 | 326T | 1599 | 1132 |
| 365 | 74-3/16 | 5 | 2-7/16 | 13/16 | 1 | 2-1/8 | 16-3/16 | 6 | 44-3/16 | 17-13/16 | 16-1/8 | 19-3/8 | 326T | 1939 | 1360 |

ALL DIMENSIONS IN INCHES. WEIGHTS IN LBS., LESS MOTOR.