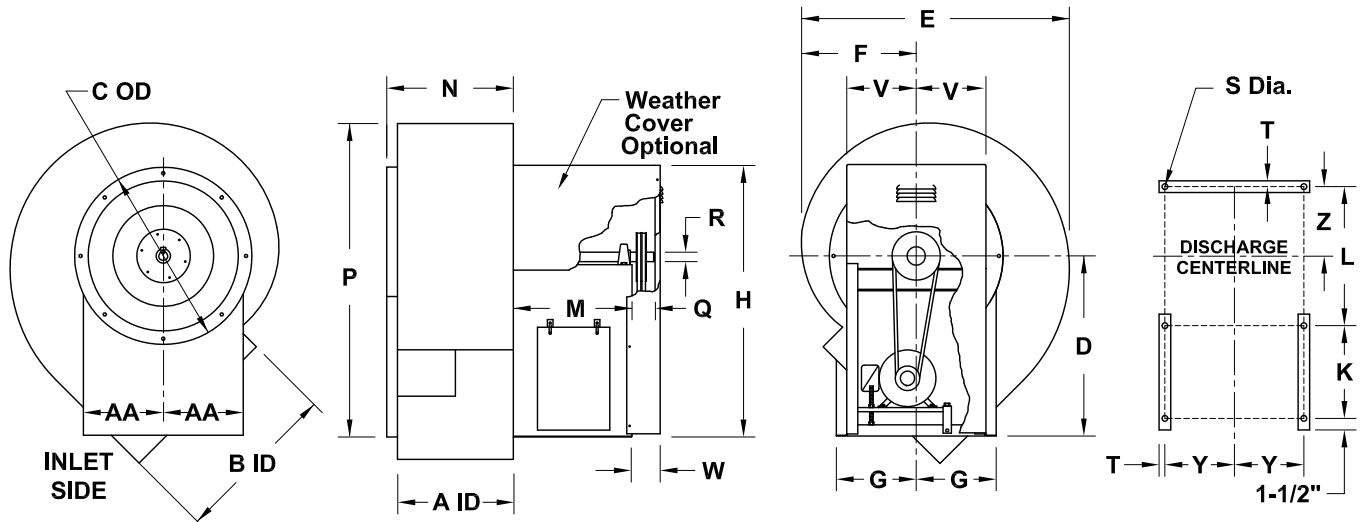


DATE: \_\_\_\_\_  
 PROJECT: \_\_\_\_\_  
 LOCATION: \_\_\_\_\_



**Flat Blade Centrifugal Blower**  
**Clockwise**  
**Bottom Angular Down**  
**Arrangement 10, Class II**



**DIMENSION DATA**

Size	A	B	C	D	E	F	G	H	K	L	M	N
120	9-3/16	13-1/8	16-1/8	22	21-7/8	9-9/16	10-3/8	30-1/4	18	12-5/16	21-1/8	11-1/4
135	10-5/16	14-3/4	17-5/8	22	23-15/16	10-1/8	10-3/8	31	18	13-7/16	21-1/8	12-3/8
150	11-7/16	16-7/16	19-1/8	22	26-5/8	11-1/4	10-7/8	32	18	14-9/16	21-1/8	13-1/2
165	12-5/8	18-1/16	21-3/16	24	29-3/16	12-5/16	13	35	22-1/8	16-1/8	25-1/4	15-1/16
180	13-3/4	19-11/16	22-11/16	24	31-13/16	13-7/16	13	35-1/2	22-1/8	17-1/4	25-1/4	16-3/16
195	14-15/16	21-5/16	24-3/16	24-1/4	34-7/16	14-9/16	13-3/4	36-1/4	22-1/8	18-1/2	25-1/4	17-3/8
210	16-1/16	23	25-15/16	25-3/8	37-1/8	15-11/16	13-3/4	39	22-1/8	19-5/8	25-1/4	18-1/2
225	17-3/16	24-5/8	27-7/16	27	39-13/16	16-13/16	13-7/8	41	22-1/8	20-7/8	25-1/4	19-3/4
245	18-3/4	26-13/16	29-7/16	29-5/8	43-1/4	18-1/4	14-15/16	44-5/8	24-1/8	22-5/16	27-5/16	21-5/16
270	20-5/8	29-9/16	31-15/16	32-3/8	47-11/16	20-1/8	15-7/16	48-7/8	24-1/8	24-11/16	27-5/16	23-11/16
300	22-15/16	32-13/16	34-15/16	35-5/8	53	22-3/8	16-1/16	53-5/8	26	27-3/16	29-3/16	26-3/16
330	25-1/4	36-1/8	37-15/16	38-7/8	58-3/8	24-5/8	17-5/8	58-3/8	26	29-9/16	29-3/16	28-9/16
365	27-7/8	39-15/16	41-7/16	42-3/4	64-7/16	27-3/16	18-13/16	64-1/4	26	32-9/16	29-1/4	31-7/16

Size	P	Q	R	S	T	V	W	Y	Z	AA	Max Mtr Frame	Ship Wt.	
												CPS	CPA
120	32-11/16	3	1-7/16	9/16	3/4	9	4	9-5/8	5-9/16	10-1/2	215T	369	302
135	34	3	1-7/16	9/16	3/4	9	4	9-5/8	6-1/8	10-7/16	215T	385	310
150	35-5/16	3	1-7/16	9/16	3/4	9-1/2	4	10-1/8	6-11/16	10-15/16	256T	428	342
165	38-5/8	3	1-7/16	9/16	3/4	11-1/4	4	12-1/4	7-5/8	13-1/16	256T	530	433
180	39-15/16	3	1-11/16	9/16	3/4	11-1/4	4	12-1/4	8-3/16	13-1/16	256T	598	465
195	41-1/2	3	1-11/16	9/16	3/4	12	4	13	8-13/16	13-7/8	256T	649	501
210	44	4	1-11/16	9/16	3/4	12	5	13	9-3/8	13-7/8	256T	687	524
225	46-15/16	4	1-11/16	9/16	3/4	12-1/16	5	13-1/8	10-1/16	14-1/8	256T	774	592
245	51-5/16	4	1-15/16	11/16	1	13-1/8	5	13-15/16	10-5/8	14-15/16	256T	944	730
270	56-5/16	4	1-15/16	11/16	1	13-1/8	5	14-7/16	12-1/16	15-11/16	286T	1058	793
300	62-3/16	4	2-3/16	11/16	1	13-11/16	5	15-1/16	13-5/16	16-5/16	286T	1300	937
330	68-1/8	4	2-3/16	13/16	1	15-1/4	5	16-5/8	14-9/16	18	326T	1581	1126
365	74-15/16	5	2-7/16	13/16	1	16-3/16	6	17-13/16	16-1/8	19-3/8	326T	1919	1353

ALL DIMENSIONS IN INCHES. WEIGHTS IN LBS., LESS MOTOR.