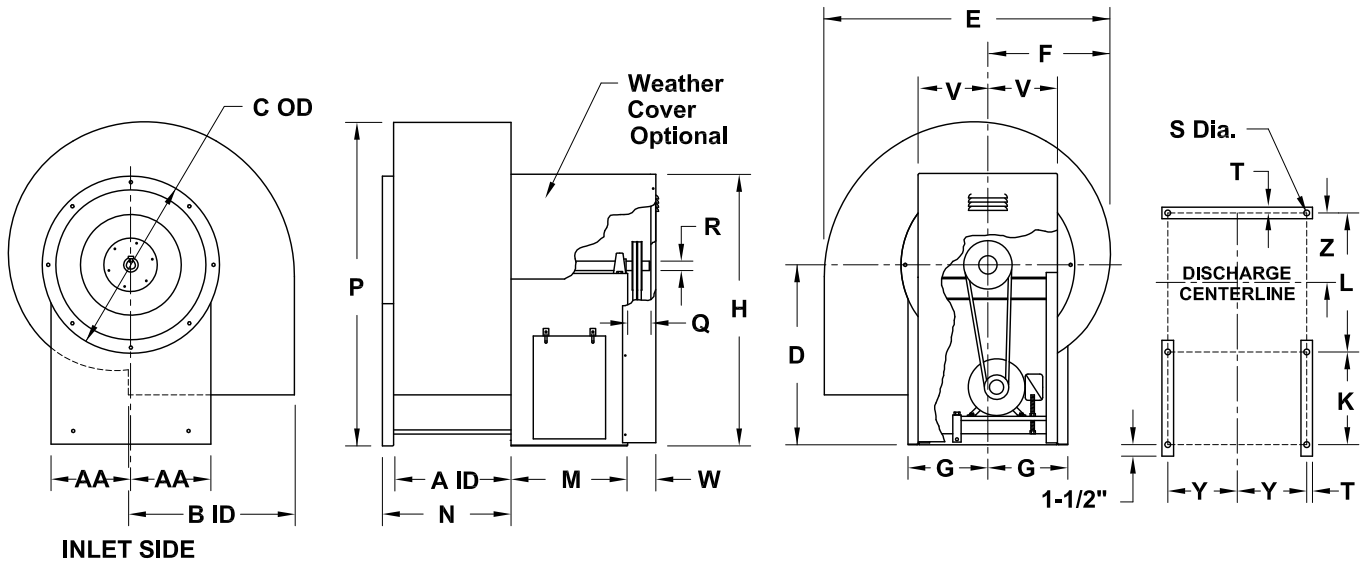


DATE: \_\_\_\_\_  
 PROJECT: \_\_\_\_\_  
 LOCATION: \_\_\_\_\_



**UL** US **Airfoil Centrifugal Blower**  
**Counterclockwise Down Blast**  
**Arrangement 10, Class II**



### DIMENSION DATA

Size	A	B	C	D	E	F	G	H	K	L	M	N
120	9-3/16	13-1/8	16-1/8	22	24-7/16	9-13/16	10-3/8	30-1/4	18	12-5/16	21-1/8	11-1/4
135	10-5/16	14-3/4	17-5/8	22	27-5/16	11-1/16	10-3/8	31	18	13-7/16	21-1/8	12-3/8
150	11-7/16	16-7/16	19-1/8	22	30-1/8	12-1/4	10-7/8	32	18	14-9/16	21-1/8	13-1/2
165	12-5/8	18-1/16	21-3/16	24	32-15/16	13-7/16	13	35	22-1/8	16-1/8	25-1/4	15-1/16
180	13-3/4	19-11/16	22-11/16	24	35-13/16	14-11/16	13	35-1/2	22-1/8	17-1/4	25-1/4	16-3/16
195	14-15/16	21-5/16	24-3/16	24-1/4	38-5/8	15-7/8	13-3/4	36-1/4	22-1/8	18-1/2	25-1/4	17-3/8
210	16-1/16	23	25-15/16	25-3/8	41-5/8	17-3/16	13-3/4	39	22-1/8	19-5/8	25-1/4	18-1/2
225	17-3/16	24-5/8	27-7/16	27	44-7/16	18-3/8	13-7/8	41	22-1/8	20-7/8	25-1/4	19-3/4
245	18-3/4	26-13/16	29-7/16	29-5/8	48-5/8	19-15/16	14-15/16	44-5/8	24-1/8	22-5/16	27-5/16	21-5/16
270	20-5/8	29-9/16	31-15/16	32-3/8	53-7/16	22	15-7/16	48-7/8	24-1/8	24-11/16	27-5/16	23-11/16
300	22-15/16	32-13/16	34-15/16	35-5/8	59-1/4	24-1/2	16-1/16	53-5/8	26	27-3/16	29-3/16	26-3/16
330	25-1/4	36-1/8	37-15/16	38-7/8	64-15/16	26-15/16	17-5/8	58-3/8	26	29-9/16	29-3/16	28-9/16
365	27-7/8	39-15/16	41-7/16	42-3/4	71-3/8	29-5/8	18-13/16	64-1/4	26	32-9/16	29-1/4	31-7/16

Size	P	Q	R	S	T	V	W	Y	Z	AA	Max Mtr Frame	Ship Wt.	
												CPS-A	CPA-A
120	33-1/2	3	1-7/16	9/16	3/4	9	4	9-5/8	5-9/16	10-1/2	215T	370	312
135	34-7/8	3	1-7/16	9/16	3/4	9	4	9-5/8	6-1/8	10-7/16	215T	386	321
150	36-5/16	3	1-7/16	9/16	3/4	9-1/2	4	10-1/8	6-11/16	10-15/16	256T	429	356
165	39-3/4	3	1-7/16	9/16	3/4	11-1/4	4	12-1/4	7-5/8	13-1/16	256T	531	448
180	41-3/16	3	1-11/16	9/16	3/4	11-1/4	4	12-1/4	8-3/16	13-1/16	256T	595	382
195	42-13/16	3	1-11/16	9/16	3/4	12	4	13	8-13/16	13-7/8	256T	644	411
210	45-3/8	4	1-11/16	9/16	3/4	12	5	13	9-3/8	13-7/8	256T	683	544
225	48-7/16	4	1-11/16	9/16	3/4	12-1/16	5	13-1/8	10-1/16	14-1/8	256T	768	618
245	53	4	1-15/16	11/16	1	13-1/8	5	13-15/16	10-5/8	14-15/16	256T	938	761
270	58-1/8	4	1-15/16	11/16	1	13-1/8	5	14-7/16	12-1/16	15-11/16	286T	1049	828
300	64-1/4	4	2-3/16	11/16	1	13-11/16	5	15-1/16	13-5/16	16-5/16	286T	1274	976
330	70-3/8	4	2-3/16	13/16	1	15-1/4	5	16-5/8	14-9/16	18	326T	1548	1178
365	77-1/2	5	2-7/16	13/16	1	16-3/16	6	17-13/16	16-1/8	19-3/8	326T	1922	1428

ALL DIMENSIONS IN INCHES. WEIGHTS IN LBS., LESS MOTOR.