



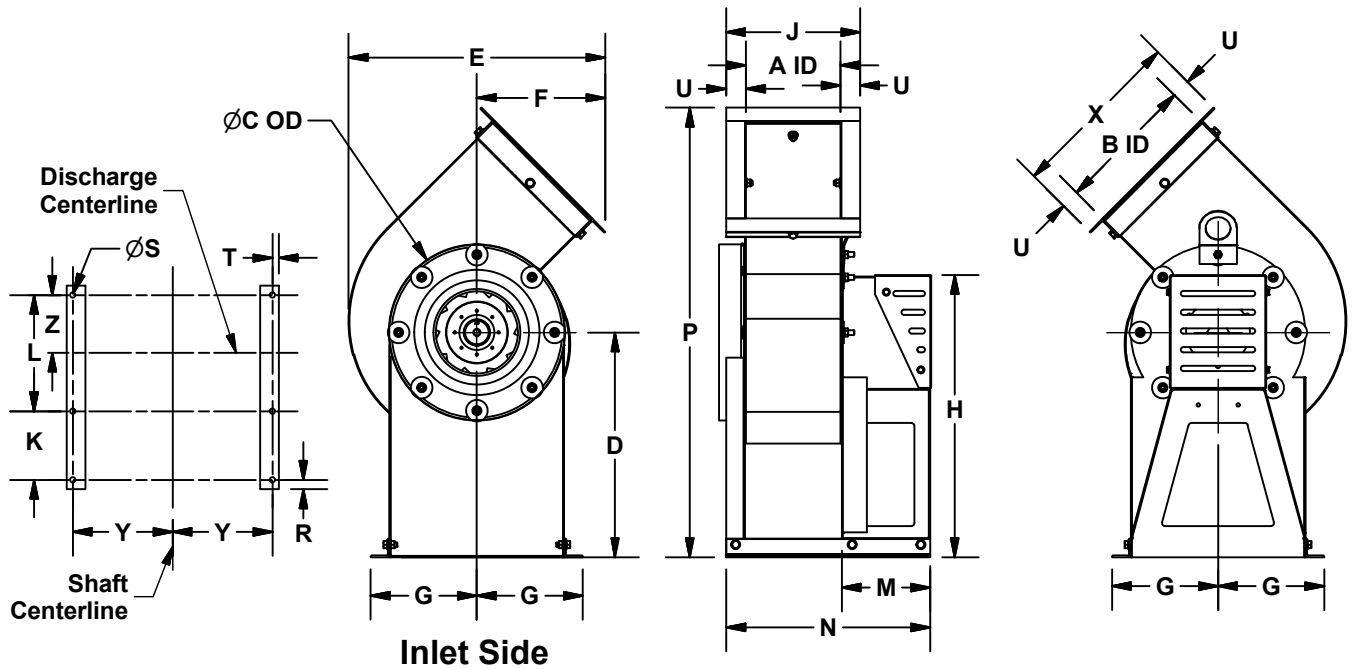
COOK

CPV-EC

DATE: _____
 PROJECT: _____
 LOCATION: _____



**Centrifugal Blower
 Counterclockwise
 Top Angular Up
 Arrangement 4**



Dimension Data

| Size | A | B | C | D | E | F | G | H* | J | K | L |
|------|---------|----------|--------|---------|----------|--------|--------|--------|--------|-------|----------|
| 60 | 7 9/16 | 10 15/16 | 14 1/8 | 18 | 20 3/8 | 10 1/8 | 8 1/2 | 22 1/2 | 10 3/4 | 5 1/2 | 9 5/16 |
| 70 | 7 9/16 | 10 15/16 | 14 1/8 | 18 | 20 3/8 | 10 1/8 | 8 1/2 | 22 1/2 | 10 3/4 | 5 1/2 | 9 5/16 |
| 80 | 7 9/16 | 10 15/16 | 14 1/8 | 18 | 20 3/8 | 10 1/8 | 8 1/2 | 22 1/2 | 10 3/4 | 5 1/2 | 9 5/16 |
| 100 | 7 9/16 | 10 15/16 | 14 1/8 | 18 | 20 3/8 | 10 1/8 | 8 1/2 | 22 1/2 | 10 3/4 | 5 1/2 | 9 5/16 |
| 120 | 9 3/16 | 13 1/8 | 16 1/8 | 18 | 22 15/16 | 10 5/8 | 9 1/2 | 23 | 12 3/8 | 8 | 10 15/16 |
| 135 | 10 5/16 | 14 3/4 | 17 5/8 | 18 | 24 13/16 | 11 | 10 1/4 | 23 1/2 | 13 1/2 | 8 1/2 | 12 1/16 |
| 150 | 11 7/16 | 16 7/16 | 19 1/8 | 19 1/16 | 27 3/8 | 12 | 11 | 24 1/2 | 14 5/8 | 8 1/2 | 13 3/16 |

| Size | M | N | P* | R | S | T | U* | X | Y | Z | Unit Wt |
|------|---------|---------|----------|-----|------|-----|-------|----------|--------|--------|---------|
| 60 | 7 1/16 | 16 5/16 | 35 13/16 | 3/4 | 7/16 | 1/2 | 1 5/8 | 14 1/16 | 8 | 4 5/8 | 65 |
| 70 | 7 1/16 | 16 5/16 | 35 13/16 | 3/4 | 7/16 | 1/2 | 1 5/8 | 14 1/16 | 8 | 4 5/8 | 65 |
| 80 | 7 1/16 | 16 5/16 | 35 13/16 | 3/4 | 7/16 | 1/2 | 1 5/8 | 14 1/16 | 8 | 4 5/8 | 65 |
| 100 | 7 1/16 | 16 5/16 | 35 13/16 | 3/4 | 7/16 | 1/2 | 1 5/8 | 14 1/16 | 8 | 4 5/8 | 65 |
| 120 | 9 9/16 | 20 7/16 | 37 13/16 | 3/4 | 7/16 | 1/2 | 1 5/8 | 16 5/16 | 9 | 5 7/16 | 77 |
| 135 | 10 1/16 | 22 1/16 | 39 5/16 | 3/4 | 7/16 | 1/2 | 1 5/8 | 17 15/16 | 9 3/4 | 6 | 95 |
| 150 | 10 1/8 | 23 3/16 | 42 9/16 | 3/4 | 7/16 | 1/2 | 1 5/8 | 19 5/8 | 10 1/2 | 6 9/16 | 110 |

ALL DIMENSIONS IN INCHES. WEIGHTS IN LBS., LESS MOTOR. * REFERENCE DIMENSION.