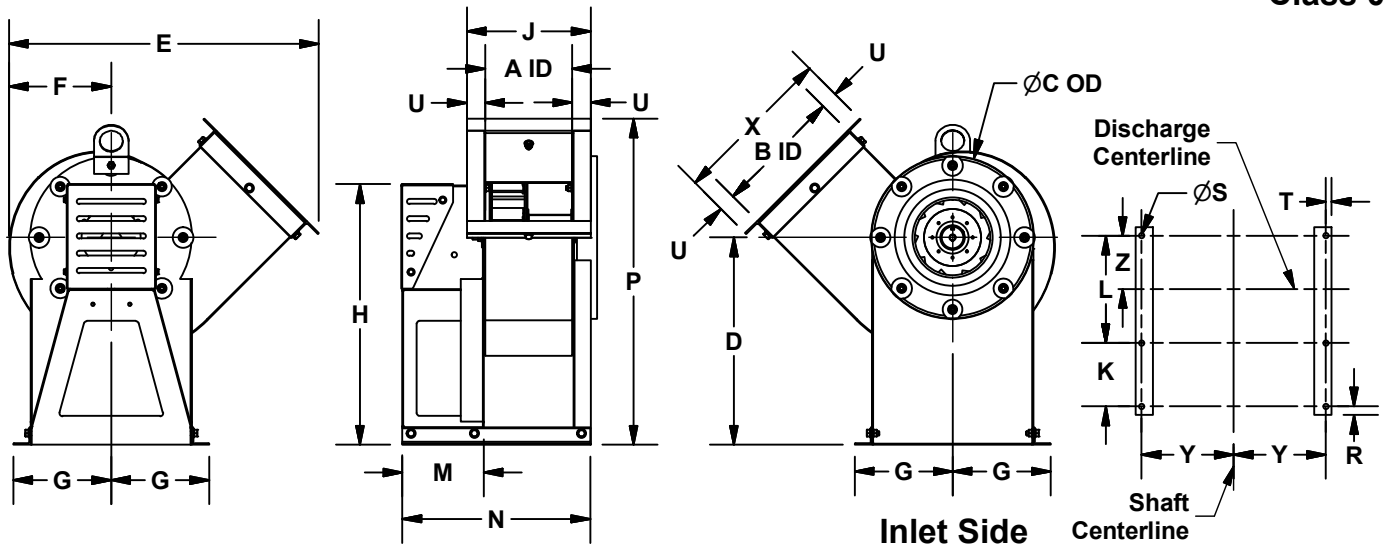


DATE: _____
 PROJECT: _____
 LOCATION: _____



**Centrifugal Blower
 Counterclockwise
 Bottom Angular Up
 Arrangement 4
 Class 0**



DIMENSION DATA

Size	A	B	C	D	E	F	G	H*	J	K	L
60	7-9/16	10-15/16	14-1/8	18	26-11/16	8-7/8	8-1/2	22-1/2	10-3/4	5-1/2	9-5/16
70	7-9/16	10-15/16	14-1/8	18	26-11/16	8-7/8	8-1/2	22-1/2	10-3/4	5-1/2	9-5/16
80	7-9/16	10-15/16	14-1/8	18	26-11/16	8-7/8	8-1/2	22-1/2	10-3/4	5-1/2	9-5/16
100	7-9/16	10-15/16	14-1/8	18	26-11/16	8-7/8	8-1/2	22-1/2	10-3/4	5-1/2	9-5/16
120	9-3/16	13-1/8	16-1/8	18	30-1/2	10-11/16	9-1/2	23	12-3/8	8	10-15/16
135	10-5/16	14-3/4	17-5/8	18	33-5/16	12	10-1/4	23-1/2	13-1/2	8-1/2	12-1/16
150	11-7/16	16-7/16	19-1/8	19-1/16	36-13/16	13-5/16	11	24-1/2	14-5/8	8-1/2	13-3/16
165	12-5/8	18-1/16	21-3/16	20-7/16	40	14-5/8	11-1/8	26-9/16	15-13/16	8-1/2	14-3/8
180	13-3/4	19-11/16	22-11/16	22-1/16	43-3/8	15-15/16	11-7/8	28-3/16	16-15/16	8-1/2	15-1/2
195	14-15/16	21-5/16	24-3/16	23-11/16	45-15/16	17-1/4	11-7/8	29-13/16	18-3/16	8-1/2	16-11/16
210	16-1/16	23	25-15/16	25-3/8	50-1/16	18-5/8	12-1/2	31-1/2	19-5/16	8-1/2	17-13/16
Size	M	N	P*	R	S	T	U*	X	Y	Z	Unit Wt
60	7-1/16	16-5/16	28-1/8	3/4	7/16	1/2	1-5/8	14-1/16	8	4-5/8	65
70	7-1/16	16-5/16	28-1/8	3/4	7/16	1/2	1-5/8	14-1/16	8	4-5/8	65
80	7-1/16	16-5/16	28-1/8	3/4	7/16	1/2	1-5/8	14-1/16	8	4-5/8	65
100	7-1/16	16-5/16	28-1/8	3/4	7/16	1/2	1-5/8	14-1/16	8	4-5/8	65
120	9-9/16	20-7/16	28-5/8	3/4	7/16	1/2	1-5/8	16-5/16	9	5-7/16	77
135	10-1/16	22-1/16	29	3/4	7/16	1/2	1-5/8	17-15/16	9-3/4	6	95
150	10-1/8	23-3/16	31-1/16	3/4	7/16	1/2	1-5/8	19-5/8	10-1/2	6-9/16	110
165	10-1/8	24-3/8	33-3/16	3/4	7/16	1/2	1-5/8	21-1/4	10-5/8	7-1/8	133
180	10-1/8	25-1/2	35-3/4	3/4	7/16	1/2	1-5/8	22-7/8	11-3/8	7-11/16	150
195	10-1/8	26-11/16	38-1/4	3/4	7/16	1/2	1-5/8	24-1/2	11-3/8	8-5/16	170
210	10-1/8	27-13/16	41-1/16	3/4	7/16	1/2	1-5/8	26-3/16	12	8-7/8	192

ALL DIMENSIONS IN INCHES. WEIGHTS IN LBS., LESS MOTOR.
 * REFERENCE DIMENSION.