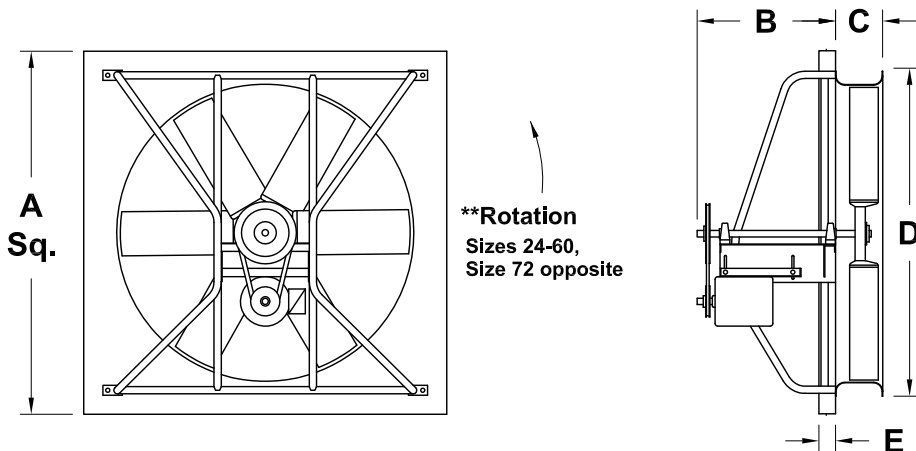


DATE: \_\_\_\_\_  
 PROJECT: \_\_\_\_\_  
 LOCATION: \_\_\_\_\_



**Wall Exhaust Fan  
 Extruded Aluminum Propeller  
 Belt Drive**



**Air Flow**  
 →

**\*\* Correct propeller rotation is CCW (size 72 is CW) when viewing from inlet side.**

**DIMENSION DATA**

Size	A Sq.	B	C	D Dia.	E	Wall Opening*	Approx. Ship Wt.
24	36-3/16	20	6-5/8	30	3	36-7/16	150
30	42-3/16	21	6-3/4	36	3	42-7/16	185
36	48-3/16	21	7-1/4	42	3	48-7/16	220
42	54-3/16	21	8-1/16	48	3	54-7/16	285
48	60-3/16	24	8-1/16	54	3	60-7/16	355
54	66-3/16	27	9	60	3	66-7/16	420
60	72-3/16	27	9	66	3	72-7/16	510
72	84-3/16	27	10-3/8	78-1/4	3	84-7/16	590

ALL DIMENSIONS IN INCHES. WEIGHTS IN LBS., LESS MOTOR.

\* See wire guard or wall collar submittal for accessory wall opening.

**ACCESSORIES**

1. GALVANIZED SHUTTER - GRAVITY OR MOTORIZED
2. ALUMINUM SHUTTER - GRAVITY OR MOTORIZED
2. ALUMINUM HD SHUTTER - GRAVITY OR MOTORIZED
3. EPOXY POWDER
4. PHENOLIC EPOXY POWDER
5. PROP SIDE WIRE GUARD
6. MOTOR SIDE WIRE GUARD
7. WALL COLLAR
8. WEATHER HOOD
9. SHUTTER GUARD
10. DISCONNECT SWITCH
11. PRE-WIRED DISCONNECT SWITCH
12. PRE-WIRED DISCONNECT SWITCH WITH FLEXIBLE CONDUIT
13. KNOCKDOWN WEATHERHOOD
14. HORIZ. MOUNT DOWNBLAST MOTOR ABOVE
15. HORIZ. MOUNT UPBLAST MOTOR BELOW
16. PHENOLIC EPOXY WITH UV

**STANDARD CONSTRUCTION FEATURES:**

Extruded aluminum propeller - Propeller hub keyed to shaft - Propellers are statically and dynamically balanced - 14 gauge steel venturi - Welded wall base corners - Aluminum supply inlet - Heavy duty steel power assembly - Lorenized powder paint finish - Regreasable bearings in a cast housing rated at 200,000 hours average life - Adjustable pitch drives through 5 hp - Corrosion resistant fasteners - Static resistant belts - All fans factory adjusted to specified fan RPM.

QTY	MARK	CATALOG NUMBER	FAN INFORMATION			MOTOR INFORMATION					ACCESSORIES	
			CFM	SP	RPM	HP	VOLTS	HZ	PH	TYPE		

**LARGEST MOTOR SHIPPED MOUNTED: ODP (OPEN DRIP-PROOF) 5 HP; 2 SP (2 SPEED) 2 HP; X-PRF (EXPLOSION PROOF) 2 HP; TEFC (TOTALLY ENCLOSED FAN COOLED) 3 HP.**