



COOK

X-Stream

XLW-Supply

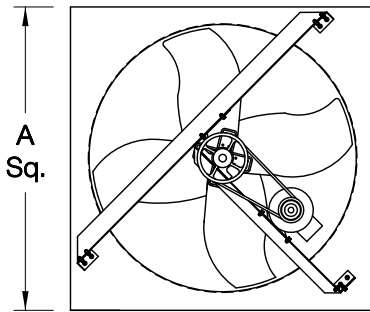
DATE: _____

PROJECT: _____

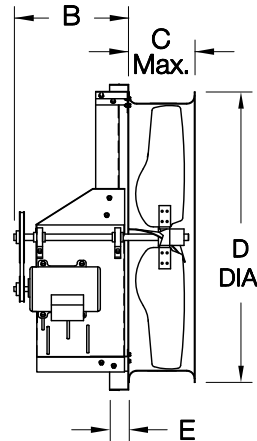
LOCATION: _____



**Low-Pressure
Wall Supply Fan
Steel Propeller
Belt Drive**



**Rotation



Air Flow

** Correct propeller rotation is CCW when viewing from inlet side.

DIMENSION DATA

Size	A Sq.	B	C	D Dia.	E	Wall Opening*	Approx. Ship Wt.
20	24-3/16	14-5/16	6-5/8	23-3/8	2	24-7/16	121
24	30-3/16	14-5/16	6-5/8	27-3/8	3	30-7/16	128
30	36-3/16	14-5/16	6-3/4	33-3/8	3	36-7/16	152
36	42-3/16	14-5/16	7-1/4	39-3/8	3	42-7/16	184
42	48-3/16	18-1/16	8-1/16	46-3/8	3	48-7/16	245
48	54-3/16	18-1/16	8-1/16	52-3/8	3	54-7/16	282
54	60-3/16	18-1/16	9	58-3/8	3	60-7/16	337
60	66-3/16	18-1/16	9	64-3/8	3	66-7/16	375

ALL DIMENSIONS IN INCHES. WEIGHTS IN LBS., LESS MOTOR.

* See wire guard or wall collar submittal for accessory wall opening.

ACCESSORIES

1. GALVANIZED MOTORIZED INTAKE SHUTTER
2. BAKED EPOXY POWDER
3. BAKED PHENOLIC EPOXY POWDER
4. PROP SIDE WIRE GUARD
5. MOTOR SIDE WIRE GUARD
6. WALL COLLAR
7. WEATHER HOOD
8. SHUTTER GUARD
9. DISCONNECT SWITCH
10. SPECIAL

STANDARD CONSTRUCTION FEATURES:

X-stream steel propeller – Propeller hub keyed to shaft – Propellers are statically and dynamically balanced – 14 gauge steel venturi – Welded wall base corners – Aluminum supply inlet – Lorenized powder paint finish – Regreasable bearings in a cast housing rated at 200,000 hours average life – Adjustable pitch drives through 5 hp – Corrosion resistant fasteners – Static resistant belts – All fans factory adjusted to specified fan RPM.

QTY	MARK	CATALOG NUMBER	FAN INFORMATION			MOTOR INFORMATION					ACCESSORIES						
			CFM	SP	RPM	HP	VOLTS	HZ	PH	TYPE							

LARGEST MOTOR SHIPPED MOUNTED: ODP (OPEN DRIP-PROOF) 2 HP; 2 SP (2 SPEED) 1-1/2 HP;

X-PRF (EXPLOSION PROOF) 1 HP; TEFC (TOTALLY ENCLOSED FAN COOLED) 1-1/2 HP.

WP013R05