



COOK

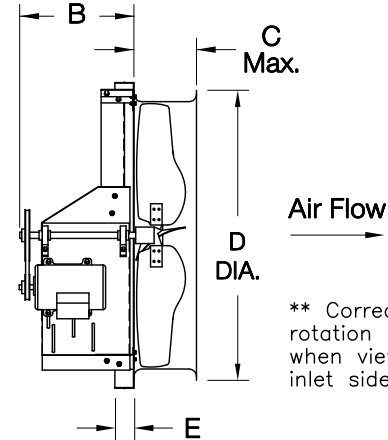
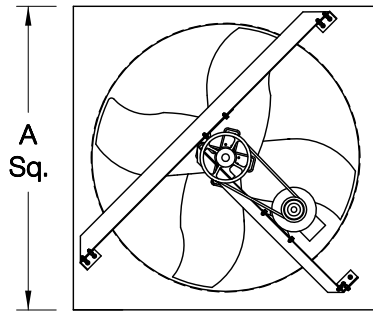
X-Stream

XMW

DATE: _____
 PROJECT: _____
 LOCATION: _____



Medium-Pressure Wall Exhaust Fan Steel Propeller Belt Drive



** Correct propeller rotation is CCW when viewing from inlet side.

DIMENSION DATA

Size	A Sq.	B	C	D DIA.	E	Wall Opening*	Approx. Ship Wt.
20	24-3/16	14-5/16	6-5/8	23-3/8	2	24-7/16	118
24	30-3/16	14-5/16	6-5/8	27-3/8	3	30-7/16	125
30	36-3/16	14-5/16	6-3/4	33-3/8	3	36-7/16	148
36	42-3/16	14-5/16	7-1/4	39-3/8	3	42-7/16	179
42	48-3/16	18-1/16	8-1/16	46-3/8	3	48-7/16	240
48	54-3/16	18-1/16	8-1/16	52-3/8	3	54-7/16	275
54	60-3/16	18-1/16	9	58-3/8	3	60-7/16	328
60	66-3/16	18-1/16	9	64-3/8	3	66-7/16	365

ALL DIMENSIONS IN INCHES. WEIGHTS IN LBS., LESS MOTOR.

* See wire guard or wall collar submittal for accessory wall opening.

STANDARD CONSTRUCTION FEATURES:

X-stream steel propeller – Propeller hub keyed to shaft – Propellers are statically and dynamically balanced – 14 gauge steel venturi – Welded wall base corners – Lorenized powder paint finish – Regreasable bearings in a cast housing rated at 200,000 hours average life – Adjustable pitch drives through 5 hp – Corrosion resistant fasteners – Static resistant belts – All fans factory adjusted to specified fan RPM.

ACCESSORIES

1. GALVANIZED SHUTTER – GRAVITY OR MOTORIZED
2. ALUMINUM SHUTTER – GRAVITY OR MOTORIZED
3. ALUMINUM HD SHUTTER – GRAVITY OR MOTORIZED
4. EPOXY POWDER
5. PHENOLIC EPOXY POWDER
6. PHENOLIC EPOXY POWDER WITH UV
7. PRIMER COATING
8. PROP SIDE WIRE GUARD
9. MOTOR SIDE WIRE GUARD
10. WALL COLLAR
11. WEATHER HOOD
12. SHUTTER GUARD
13. DISCONNECT SWITCH PREWIRED
14. DISCONNECT SWITCH PREWIRED
15. DISCONNECT SWITCH PREWIRED IN FLEX CONDUIT
16. KNOCKDOWN WEATHERHOOD
17. SPECIAL

QTY	MARK	CATALOG NUMBER	FAN INFORMATION			MOTOR INFORMATION					ACCESSORIES	
			CFM	SP	RPM	HP	VOLTS	HZ	PH	TYPE		

LARGEST MOTOR SHIPPED MOUNTED: ODP (OPEN DRIP-PROOF) 2 HP; 2 SP (2 SPEED) 1-1/2 HP;

X-PRF (EXPLOSION PROOF) 1 HP; TEFC (TOTALLY ENCLOSED FAN COOLED) 1-1/2 HP.

WP014R04