



COOK

SPD - Supply

DATE: _____

PROJECT: _____

LOCATION: _____



**Packaged Propeller
Wall Supply Fan
Direct Drive**

DIMENSION DATA

Size	A Sq.	B Sq.*	C Sq.	D*	Wall Opening	Wall Housing Gauge	Approx. Ship Wt.
8	15-1/2	13	10	13-3/4	13-1/4	18 Ga.	53
10	19-1/2	17	14	17-3/4	17-1/4	18 Ga.	65
12	19-1/2	17	14	17-3/4	17-1/4	18 Ga.	76
14	23-1/2	21	18	22-1/4	21-1/4	18 Ga.	82
16	23-1/2	21	18	22-1/4	21-1/4	18 Ga.	95
18	27-1/2	25	22	27-1/4	25-1/4	18 Ga.	120
20	27-1/2	25	22	27-1/4	25-1/4	18 Ga.	139
24	33-1/2	31	27-1/2	27-1/4	31-1/4	18 Ga.	151

ALL DIMENSIONS IN INCHES. SHIP WEIGHTS IN LBS.
* B-SQ & D DIMENSIONS ARE TO THE OUTSIDE OF FASTENERS ON WALL HOUSING

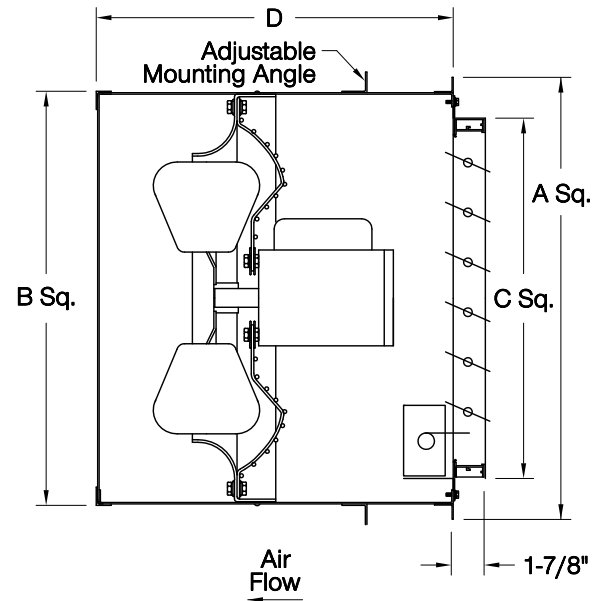
STANDARD CONSTRUCTION FEATURES:

Aluminum propeller blades attached to a steel hub - Plated steel motor mount/wire guard - Spun steel Venturi/wall base - Galvanized steel wall housing - Motorized supply shutter - 1/2" mesh galvanized screen on outlet - Single phase open-dripproof motor - Corrosion resistant fasteners - Welded wall base corners.

ACCESSORIES

1. DISCONNECT SWITCH
2. FAN SPEED CONTROL
3. EISEN-HEISS COATING
4. EPOXY COATING
5. SPECIAL

NOTE: MOUNTING ANGLE IS 2 PIECES, SHIPPED LOOSE



Note: Correct propeller rotation is CCW when viewing from inlet side.

QTY	MARK	CATALOG NUMBER	FAN INFORMATION			MOTOR INFORMATION					ACCESSORIES										
			CFM	SP	RPM	HP	VOLTS	HZ	PH	TYPE											

MOTOR TYPE: ODP (OPEN DRIP-PROOF).

WP028R02