

DATE: \_\_\_\_\_

PROJECT: \_\_\_\_\_

LOCATION: \_\_\_\_\_



**Axia-Pac Wall Supply Fan**  
**Cast Aluminum Propeller**  
**Direct Drive**

**DIMENSION DATA**

Size	A	B*	C	D*	Wall Opening	Wall Housing Gauge	Shipping Weight
12	19-1/2	17	14	17-3/4	17-1/4	18 GA.	92
16	23-1/2	21	18	22-1/8	21-1/4	18 GA.	113
20	27-1/2	25	22	27-1/4	25-1/4	18 GA.	159
24	33-1/2	31	27-1/2	27-1/4	31-1/4	18 GA.	223
30	39-1/2	37	33-1/2	24-1/2	37-1/4	18 GA.	277
36	45-1/2	43	39-1/2	28-1/2	43-1/4	18 GA.	398

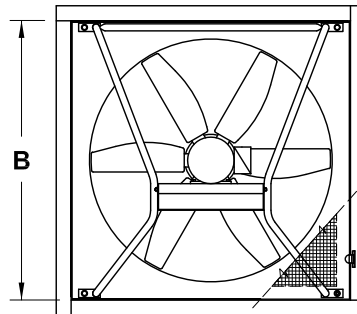
ALL DIMENSIONS IN INCHES. SHIP WEIGHTS IN LBS.  
 \* B & D DIMENSIONS ARE TO THE OUTSIDE OF FASTENERS ON WALL HOUSING.

**STANDARD CONSTRUCTION FEATURES:**

Cast aluminum propeller - Spun steel Venturi/wall base - Heavy duty steel power assembly - Welded wall base corners - Galvanized steel wall housing - Motorized supply shutter - 1/2" mesh galvanized screen on outlet - Aluminum supply inlet - Propellers are statically and dynamically balanced - Corrosion resistant fasteners.

**ACCESSORIES**

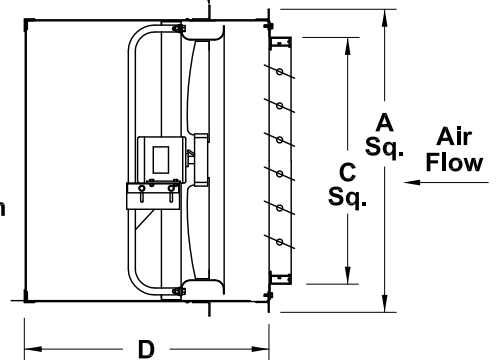
1. DISCONNECT SWITCH
2. MOTORIZED SHUTTER
3. EISEN-HEISS COATING
4. EPOXY COATING
5. ALUMINUM EXHAUST SHUTTER
6. ALUMINUM CONSTRUCTION
7. SPECIAL



Adjustable Mounting Angle

\*\* Correct propeller rotation is CCW when viewing from inlet side.

\*\*Rotation



NOTE: MOUNTING ANGLE IS 2 PIECES, SHIPPED LOOSE

QTY	MARK	CATALOG NUMBER	FAN INFORMATION			MOTOR INFORMATION					ACCESSORIES						
			CFM	SP	RPM	HP	VOLTS	HZ	PH	TYPE							

**MOTOR TYPE:** ODP (OPEN DRIP-PROOF); 2 SP (2 SPEED); X-PRF (EXPLOSION PROOF); TEFC (TOTALLY ENCLOSED FAN COOLED).