



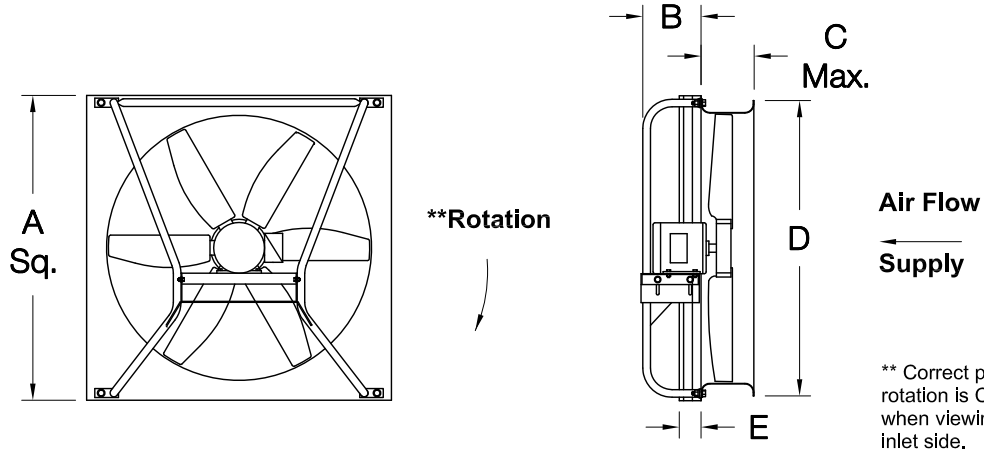
COOK

AWD-Supply

DATE: _____
 PROJECT: _____
 LOCATION: _____



**Wall Supply Fan
 Cast Aluminum Propeller
 Direct Drive**



DIMENSION DATA

Size	A Sq.	B	C	D	E	Wall Opening*	Approx. Ship Wt.
12	16-3/16	15-3/8	3-1/4	15-7/8	2	16-7/16	72
16	20-3/16	14-1/8	4-1/2	19-7/8	2	20-7/16	93
20	24-3/16	14-1/8	6-5/8	23-3/8	2	24-7/16	112
24	30-3/16	14-5/8	6-5/8	27-3/8	2	30-7/16	149
30	36-3/16	14-5/8	6-3/4	33-3/8	3	36-7/16	208
36	42-3/16	22	7-1/4	39-3/8	3	42-7/16	312
42	48-3/16	24	8-1/16	46-3/8	3	48-7/16	433
48	54-3/16	24	8-1/16	52-3/8	3	54-7/16	473

ALL DIMENSIONS IN INCHES. WEIGHTS IN LBS.

* See wire guard or wall collar submittal for accessory wall opening.

ACCESSORIES

1. GALVANIZED MOTORIZED SUPPLY SHUTTER
2. ALUMINUM MOTORIZED SUPPLY SHUTTER
3. EPOXY POWDER
4. PHENOLIC EPOXY POWDER
5. PHENOLIC EPOXY POWDER WITH UV
6. PROP SIDE WIRE GUARD
7. MOTOR SIDE WIRE GUARD
8. WALL COLLAR
9. WEATHER HOOD
10. SHUTTER GUARD
11. DISCONNECT SWITCH
12. PRE-WIRED DISCONNECT SWITCH
13. PRE-WIRED DISCONNECT SWITCH WITH FLEXIBLE CONDUIT

STANDARD CONSTRUCTION FEATURES:

Cast aluminum propeller - Propeller hub keyed to shaft - Propellers are statically and dynamically balanced - 14 gauge steel venturi - Welded wall base corners - Heavy duty steel power assembly - Lorenized powder paint finish - Corrosion resistant fasteners - Aluminum supply inlet.

QTY	MARK	CATALOG NUMBER	FAN INFORMATION			MOTOR INFORMATION					ACCESSORIES	
			CFM	SP	RPM	HP	VOLTS	HZ	PH	TYPE		

MOTOR TYPE: ODP (OPEN DRIP-PROOF); 2 SP (2 SPEED); X-PRF (EXPLOSION PROOF); TEFC (TOTALLY ENCLOSED FAN COOLED).

WP040R01