



COOK

AWB-Supply

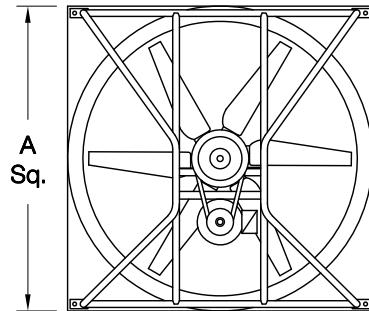
DATE: _____

PROJECT: _____

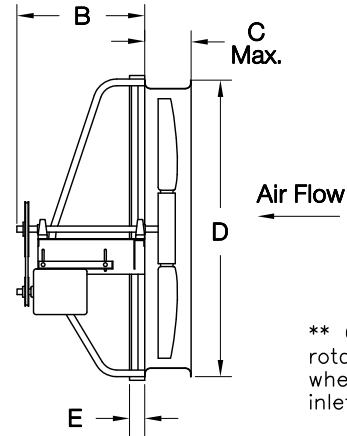
LOCATION: _____



Wall Supply Fan
Cast Aluminum Propeller
Belt Drive



**Rotation



** Correct propeller rotation is CCW when viewing from inlet side.

DIMENSION DATA

Size	A Sq.	B	C	D	E	Wall Opening*	Approx. Ship Wt.
24	30-3/16	19-1/16	6-7/8	30	3	30-7/16	140
30	36-3/16	19-1/16	6-3/4	36	3	36-7/16	175
36	42-3/16	19-1/16	7-1/4	42	3	42-7/16	210
42	48-3/16	20-11/16	8-1/16	48	3	48-7/16	270
48	54-3/16	26-5/16	8-1/16	54	3	54-7/16	340

ALL DIMENSIONS IN INCHES. WEIGHTS IN LBS., LESS MOTOR.
 * See wire guard or wall collar submittal for accessory wall opening.

ACCESSORIES

1. GALVANIZED MOTORIZED SUPPLY SHUTTER
2. ALUMINUM MOTORIZED SUPPLY SHUTTER
3. BAKED EPOXY POWDER
4. BAKED PHENOLIC EPOXY POWDER
5. PROP SIDE WIRE GUARD
6. MOTOR SIDE WIRE GUARD
7. WALL COLLAR
8. WEATHER HOOD
9. SHUTTER GUARD
10. DISCONNECT SWITCH

STANDARD CONSTRUCTION FEATURES:

Cast aluminum propeller – Propeller hub keyed to shaft – Propellers are statically and dynamically balanced – 14 gauge steel venturi – Welded wall base corners – Aluminum supply inlet – Heavy duty steel power assembly – Lorenized powder paint finish – Regreasable bearings in a cast housing rated at 200,000 hours average life – Adjustable pitch drives through 5 hp – Corrosion resistant fastners – Static resistant belts – All fans factory adjusted to specified fan RPM.

QTY	MARK	CATALOG NUMBER	FAN INFORMATION			MOTOR INFORMATION					ACCESSORIES						
			CFM	SP	RPM	HP	VOLTS	HZ	PH	TYPE							

LARGEST MOTOR SHIPPED MOUNTED: ODP (OPEN DRIP-PROOF) 5 HP; 2 SP (2 SPEED) 2 HP;
 X-PRF (EXPLOSION PROOF) 2 HP; TEFC (TOTALLY ENCLOSED FAN COOLED) 3 HP.

WP041R02