



COOK

Wire Guard

DATE: _____

PROJECT: _____

LOCATION: _____

SWD, AWB, AWD, EWB
EWD, XLW, XLWH, XMW
XMWH, XWD, XWHD
Propeller Wall Ventilators

DIMENSION DATA

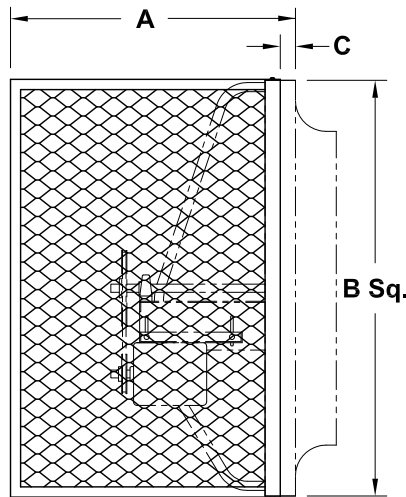
Size						A	B Sq.*	C	Ship Wt.
SWD	AWD,AWB	XWD XWHD	XLW XMW	XLWH XMWH	EWB EWD				
8	-	8	-	-	-	13-9/16	13	1	33
10-12	12	10-12	-	-	-	13-9/16	17	1	35
14-16	16	14-16	-	-	-	13-9/16	21	1	37
18-20	20	18-20	-	-	-	13-9/16	25	1	42
-	-	-	20	-	-	21-9/16	25	1	43
24	-	24	-	-	-	14-1/16	31	1-1/2	43
-	24	-	24	24	-	22-1/16	31	1-1/2	45
-	30	-	30	30	24	22-1/16	37	1-1/2	51
-	36	-	36	36	30	22-1/16	43	1-1/2	55
-	42	-	42	42	36	27-3/8	49	1-1/2	62
-	48	-	48	48	42	29-3/8	55	1-1/2	68
-	-	-	54	54	48	29-3/8	61	1-1/2	72
-	-	-	60	60	54	29-3/8	67	1-1/2	85
-	-	-	-	-	60	29-3/8	73	1-1/2	102
-	-	-	-	-	72	32-7/16	85	1-1/2	135

ALL DIMENSIONS IN INCHES. WEIGHTS IN LBS.
* A & B-SQ ARE TO OUTSIDE OF FASTENERS ON WIRE GUARD
FAN NOT INCLUDED.

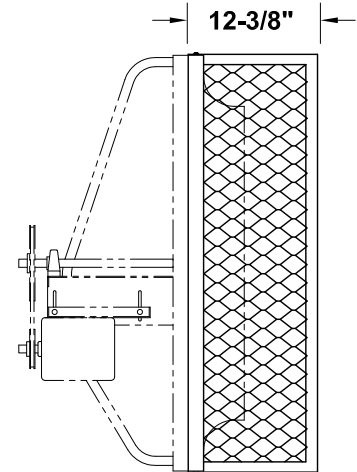
STANDARD CONSTRUCTION FEATURES:

14 Ga. steel frame - 1/2" X 1" X 16 Ga.expanded metal screen - Lorenized finish -
Removable rear panel - Sheet metal screws attach wire guard to fan, shipped
assembled on fan.

- Optional:
- 1) Hinged rear panel
 - 2) Epoxy coating
 - 3) Epoxy phenolic coating



MOTOR SIDE



PROP SIDE