



COOK

WEATHER HOOD

DATE: _____

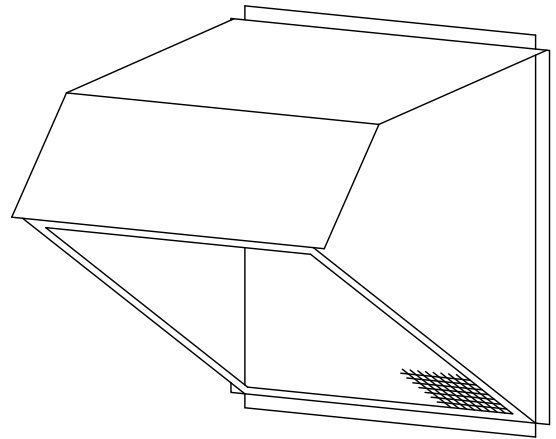
PROJECT: _____

LOCATION: _____

APB,APD,AWB,AWD,EWB,EWD,EPB,EPD
 SPD,SWD,XLP,XLPH,XLW,XLWH,XMP
 XMPH,XMW,XMWH
 Propeller Wall Fans

DIMENSION DATA

APB,APD,AWB,AWD,SPD SWD,XLP,XLPH,XLW,XLWH XMP,XMPH,XMW,XMWH Size	EWB,EPB EPD,EWD Size	A	B	C
8	—	21	18	15-3/4
10	—	25	22	18-9/16
12	—	25	22	18-9/16
14	—	29	26	21-7/16
16	—	29	26	21-7/16
18	—	33	30	24-1/4
20	—	33	30	24-1/4
24	—	37	34	27-1/16
30	24	43	40	31-5/16
36	30	49	46	35-9/16
42	36	55	52	39-13/16
48	42	61	58	44
54	48	67	64	48-1/4
60	54	73	70	52-1/2
—	60	79	76	56-7/8
—	72	91	88	65-3/8



- ALL DIMENSIONS IN INCHES.
 * MINIMUM 18 GA. GALVANIZED STEEL CONSTRUCTION.
 * 1/2" MESH BIRD SCREEN
 * THE WEATHER HOOD SHOULD BE SECURELY FASTENED AND SEALED TO THE WALL.

