



COOK

SHUTTER GUARD

DATE: _____

PROJECT: _____

LOCATION: _____

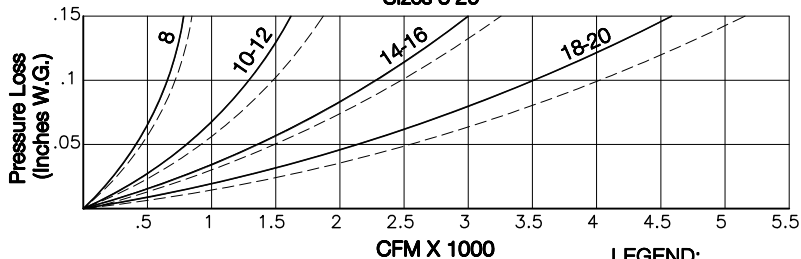
DIMENSION DATA

SWD,SWB,HWB AWD,AWB XLW,XMW,XLWH,XMWH Size	EWB Size	A Sq.	B Sq.	Galvanized Steel Gauge	Optional Aluminum Thickness
8	-	13	10-5/8	18	.080
10-12	-	17	14-5/8	18	.080
14-16	-	21	18-5/8	18	.080
18-20	-	25	22-5/8	18	.080
24	-	30	27-7/8	18	.080
30	24	36	33-7/8	18	.080
36	30	42	39-7/8	18	.080
42	36	48	45-7/8	18	.080
48	42	54	51-7/8	18	.080
54	48	60	57-7/8	18	.080
60	54	66	63-7/8	16	.100
-	60	72	69-7/8	14	.100
-	72	84	81-7/8	14	.100

ALL DIMENSIONS IN INCHES.

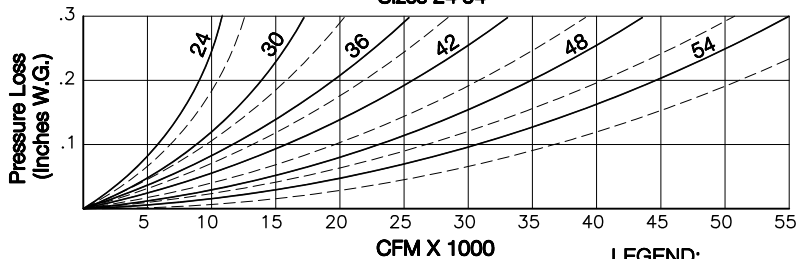
To determine the amount of pressure loss due to shutter guard, use correction charts below:

**Performance Correction
Sizes 8-20**



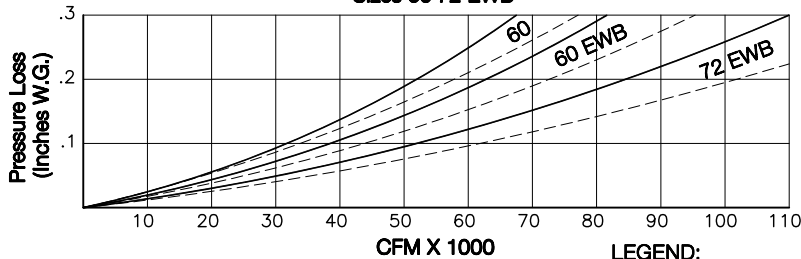
LEGEND:
 --- Expanded metal or birdwire
 — Insect Screen

**Fan Performance Correction Chart
Sizes 24-54**



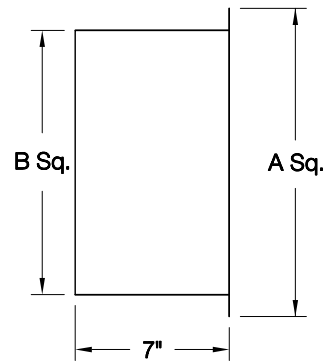
LEGEND:
 --- Expanded metal or birdwire
 — Insect Screen

**Fan Performance Correction Chart
Sizes 60-72 EWB**

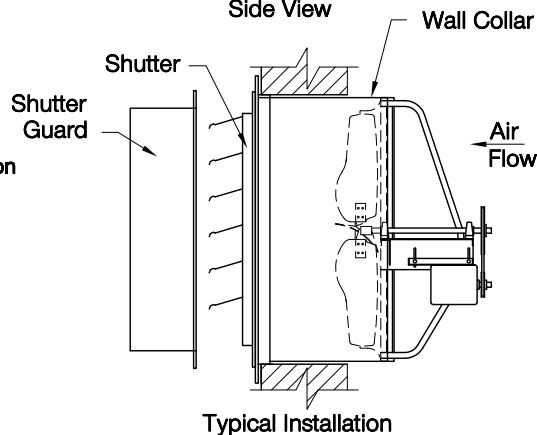


LEGEND:
 --- Expanded metal or birdwire
 — Insect Screen

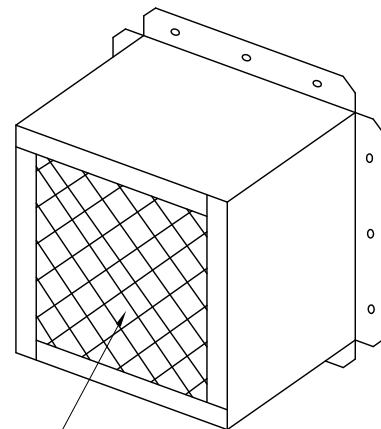
SWB, SWD, AWB, AWD, HWB, EWB
 XLW, XMW, XLWH, XMWH
Propeller Wall Fans



Side View



Typical Installation



Isometric View

Available with expanded metal, birdwire, or insect screen*

* Expanded metal shutter guard
 Steel construction with Lorenized finish.
 Birdwire or insect screen shutter-guard
 with aluminum construction.