



**COOK**

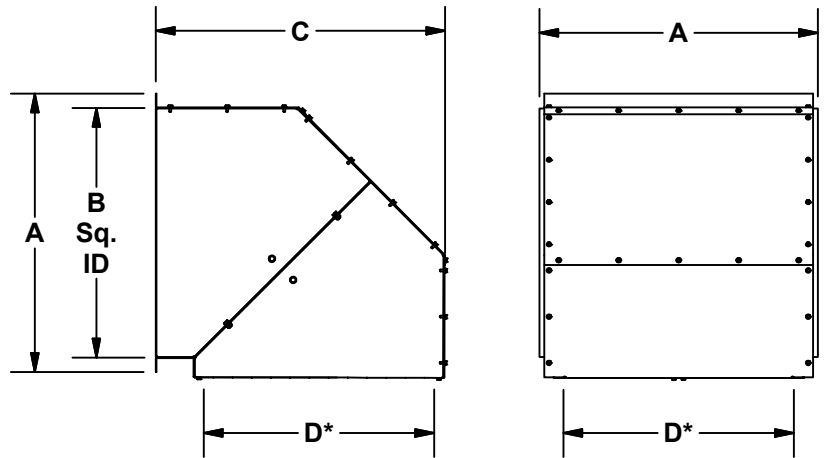
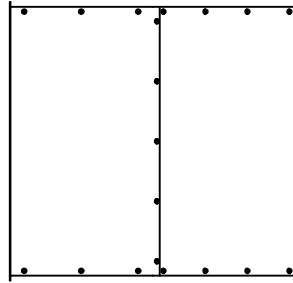
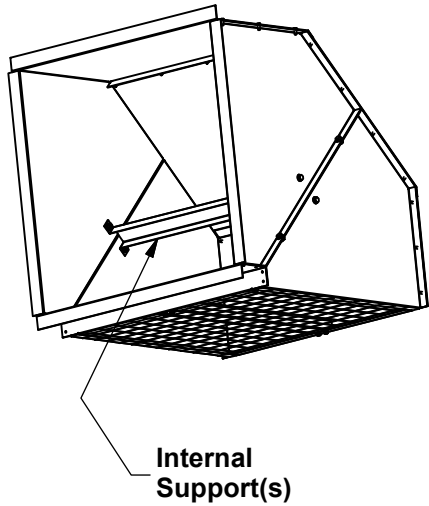
# Weather Hood

DATE: \_\_\_\_\_

PROJECT: \_\_\_\_\_

LOCATION: \_\_\_\_\_

**90° Weather Hood  
Propeller Wall Fans**

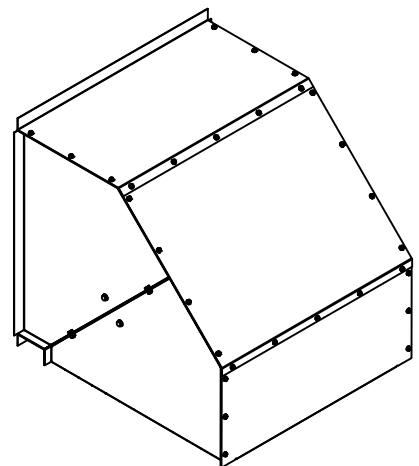


**STANDARD CONSTRUCTION FEATURES:**

Heavy guage galvanized steel construction -  
Designed to mount to exterior wall.

**DIMENSION DATA**

| Size  | EWB Size | A  | B  | C       | D  | Hood Weight |
|-------|----------|----|----|---------|----|-------------|
| 8     | -        | 21 | 18 | 22 1/8  | 16 | 37          |
| 10-12 | -        | 25 | 22 | 26 1/8  | 20 | 50          |
| 14-16 | -        | 29 | 26 | 30 1/8  | 24 | 65          |
| 18-20 | -        | 33 | 30 | 34 1/8  | 28 | 82          |
| 24    | -        | 37 | 34 | 38 1/8  | 32 | 104         |
| 30    | 24       | 43 | 40 | 44 3/16 | 38 | 135         |
| 36    | 30       | 48 | 46 | 50 1/8  | 44 | 173         |
| 42    | 36       | 55 | 52 | 56 1/8  | 50 | 225         |
| 48    | 42       | 61 | 58 | 62 1/16 | 56 | 244         |
| 54    | 48       | 67 | 64 | 68 1/8  | 62 | 327         |
| 60    | 54       | 73 | 70 | 74 1/8  | 68 | 389         |
| -     | 60       | 79 | 76 | 80 1/8  | 74 | 478         |
| -     | 72       | 91 | 88 | 92 3/16 | 86 | 582         |



ALL DIMENSIONS IN INCHES. WEIGHTS IN LBS.  
\*DENOTES OPENING SIZE.