



**COOK**

**ADD**

DATE: \_\_\_\_\_

PROJECT: \_\_\_\_\_

LOCATION: \_\_\_\_\_

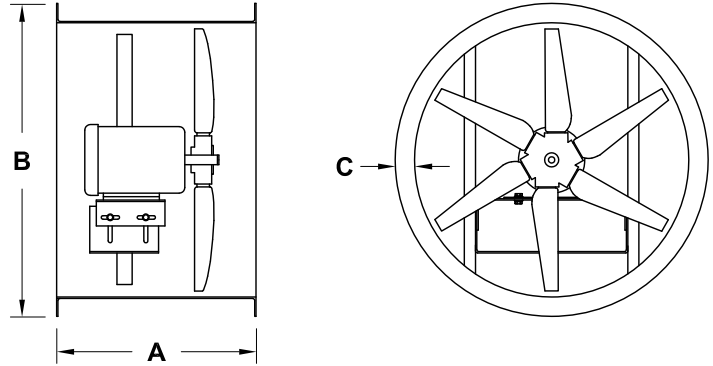


**Tube Axial Drum Fan  
Cast Aluminum Propeller  
Direct Drive**

**DIMENSION DATA**

Size	A	B	C	Drum Ga.	Ship Wt.
12	16	15-1/2	1-1/2	14 ga.	76
16	16	19-1/2	1-1/2	14 ga.	90
20	19	23-1/2	1-1/2	14 ga.	120
24	22	27-1/2	1-1/2	12 ga.	185

ALL DIMENSIONS IN INCHES. WEIGHTS IN LBS., INCLUDING STANDARD ODP MOTOR.



**STANDARD CONSTRUCTION FEATURES:**

- Cast aluminum propeller - Painted steel housing -
- Permanently lubricated ball bearing motors -
- Corrosion resistant fasteners.

**ACCESSORIES**

1. DISCONNECT SWITCH
2. INLET/OUTLET GUARD
3. FLOOR MOUNTING FEET
4. HANGING BRACKETS (V OR H)
5. INLET BELL
6. SPECIAL

QTY	MARK	CATALOG NUMBER	FAN INFORMATION			MOTOR INFORMATION					ACCESSORIES								
			CFM	SP	RPM	HP	VOLTS	HZ	PH	TYPE									

**MOTOR TYPE: ODP (OPEN DRIP-PROOF); 2 SP 2 SPEED; X-PRF EXPLOSION PROOF; TEFC TOTALLY ENCLOSED FAN COOLED.**

WP071R02