

DATE: \_\_\_\_\_  
 PROJECT: \_\_\_\_\_  
 LOCATION: \_\_\_\_\_

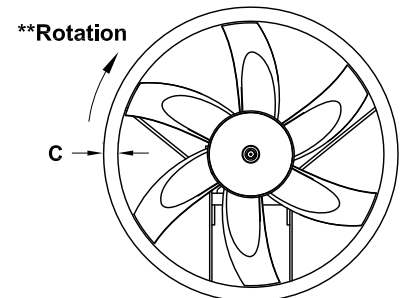
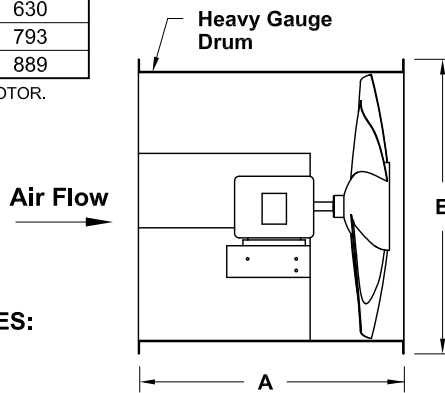


**Tube Axial Drum Fan  
 Triton Steel Propeller  
 Direct Drive**

**DIMENSION DATA**

Size	A	B	C	Drum Ga.	Ship Wt.
20	19	23-1/2	1-1/2	14 ga.	124
24	22	27-1/2	1-1/2	12 ga.	175
30	26-1/2	33-1/2	1-1/2	12 ga.	237
36	29	39-1/2	1-1/2	12 ga.	319
42	34-1/2	45-3/4	1-5/8	10 ga.	465
48	36-1/2	52-3/4	2-1/8	10 ga.	630
54	41	58-3/4	2-1/8	10 ga.	793
60	42	64-3/4	2-1/8	10 ga.	889

ALL DIMENSIONS IN INCHES. WEIGHTS IN LBS., LESS MOTOR.



**\*\* Correct propeller rotation is CCW when viewing from Inlet side.**

**STANDARD CONSTRUCTION FEATURES:**

Lorenized powder paint finish on all uncoated steel parts - Triton steel propeller - NEMA design B ball bearing motor - Corrosion resistant fasteners.

**ACCESSORIES**

1. DISCONNECT SWITCH
2. INLET/OUTLET GUARD
3. FLOOR MOUNTING FEET
4. HANGING BRACKETS (V OR H)
5. INLET BELL
6. SPECIAL

QTY	MARK	CATALOG NUMBER	FAN INFORMATION			MOTOR INFORMATION					ACCESSORIES										
			CFM	SP	RPM	HP	VOLTS	HZ	PH	TYPE											

MOTOR TYPE: ODP (OPEN DRIP-PROOF); 2 SP (2 SPEED); X-PRF (EXPLOSION PROOF); TEFC (TOTALLY ENCLOSED FAN COOLED).