

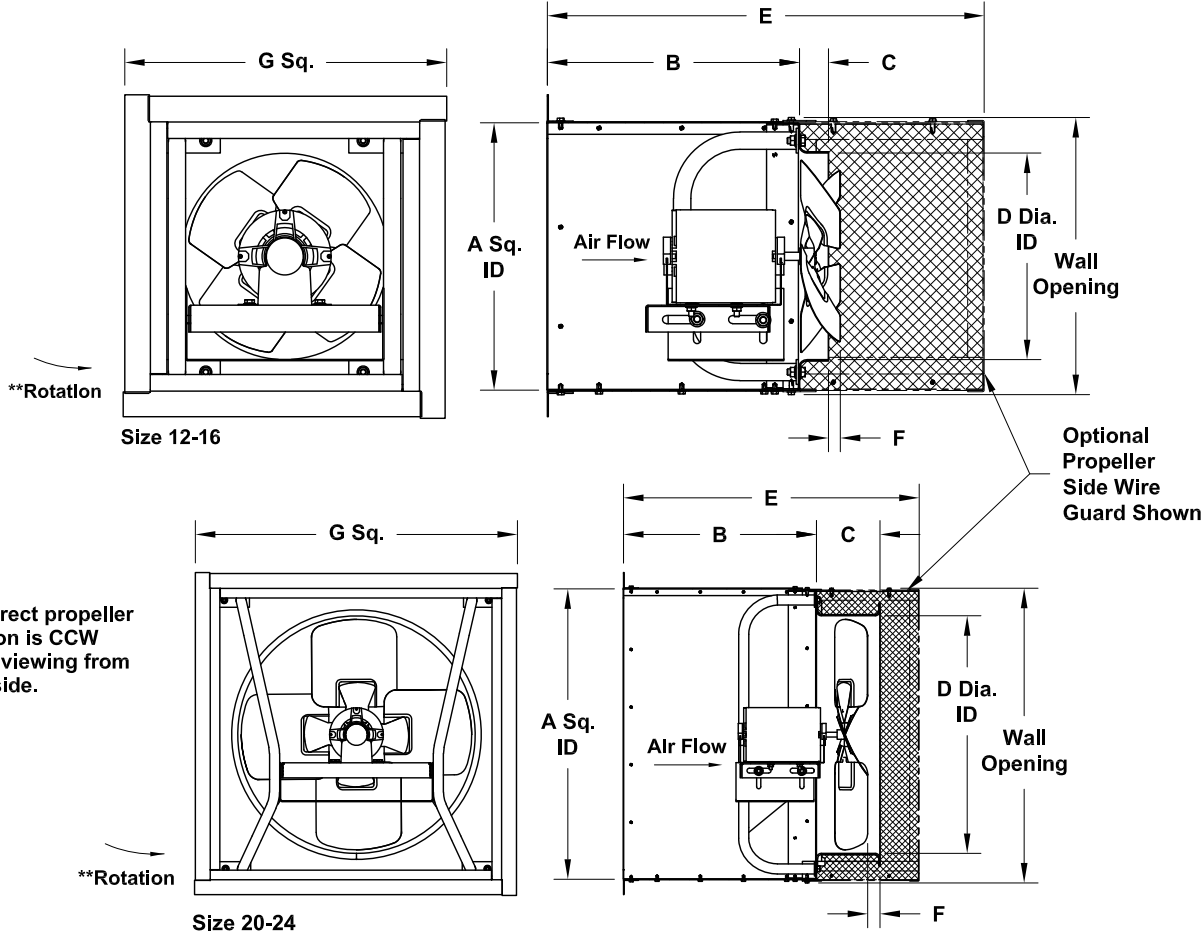
MARK: _____

PROJECT: _____

DATE: _____



Supply Wall Fan
Heavy Duty
Aluminum Propeller
Direct Drive



DIMENSION DATA

Size	A Sq.	B	C	D Dia.	E	F	G	Wall Opening*	Unit Wt.*
12	16-3/16	15-5/16	3-1/4	12-3/4	26-11/16	1-1/2	19-1/2	17-1/4	41
16	20-3/16	16-5/16	4-1/2	16-3/4	27-11/16	2	23-1/2	21-1/4	55
20	24-3/16	18-1/2	6-5/8	20-3/4	29-7/8	5/8	27-1/2	25-1/4	84
24	30-3/16	20-3/16	6-5/8	25	31-1/16	5/8	33-9/16	31-5/16	100

ALL DIMENSIONS IN INCHES. WEIGHTS IN LBS., LESS MOTOR.
 * See wire guard or wall collar submittal for accessory wall opening.

STANDARD CONSTRUCTION FEATURES:

Aluminum propeller blades attached to a steel hub - Propellers are statically and dynamically balanced - Spun steel venturi sizes 12-16 - Double spun venturi sizes 20-24 - Welded wall base corners - Heavy duty steel power assembly - Lorenized powder paint finish - Corrosion resistant fasteners - Wall collar

ACCESSORIES

1. GALVANIZED SHUTTER - GRAVITY OR MOTORIZED
2. ALUMINUM SHUTTER - GRAVITY OR MOTORIZED
3. BAKED EPOXY POWDER
4. BAKED PHENOLIC EPOXY POWDER
5. PROP SIDE WIRE GUARD
6. WEATHER HOOD
7. SHUTTER GUARD
8. DISCONNECT SWITCH

QTY	MARK	CATALOG NUMBER	FAN INFORMATION			MOTOR INFORMATION					ACCESSORIES								
			CFM	SP	RPM	HP	VOLTS	HZ	PH	TYPE									

MOTOR TYPE: ODP (OPEN DRIP-PROOF).