



**COOK**

**LECC**

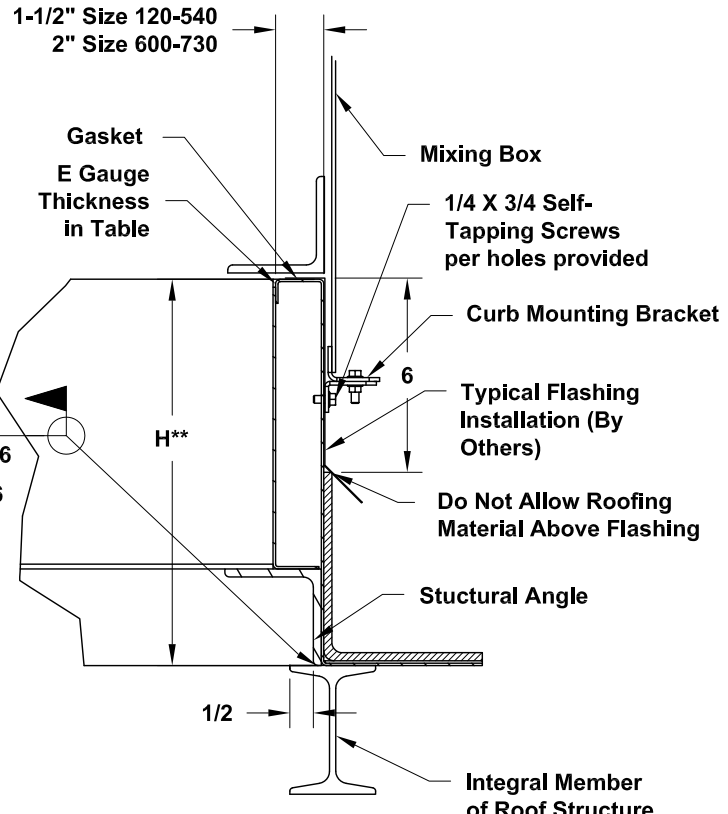
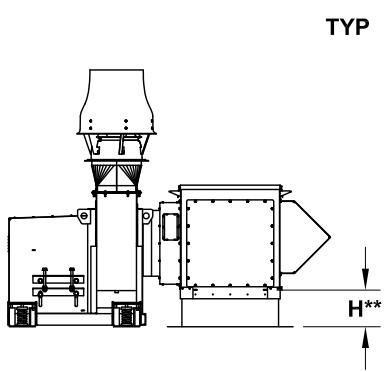
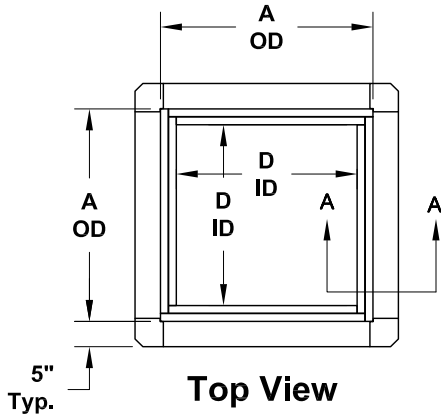
DATE: \_\_\_\_\_

PROJECT: \_\_\_\_\_

LOCATION: \_\_\_\_\_

Accessory Data Sheet  
Coated Steel Lab Exhauster Curb  
CAVP

Single (1x1) Configuration

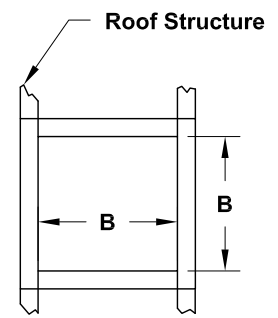
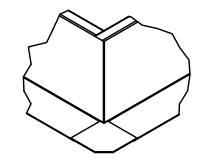


**DIMENSION DATA**

Size	A	B	C	D	E	H**		Curb Wt.	
						Class I	Class II	Class I	Class II
120	26-1/4	24-9/16	1/4	20-1/16	12	15.78	15.78	162	162
135	28-1/4	26-9/16	1/4	22-1/16	12	15.03	15.03	170	170
150	29-1/4	27-9/16	1/4	23-1/16	12	14.28	14.28	171	171
165	31-1/4	29-9/16	1/4	25-1/16	12	15.78	15.78	195	195
180	33-1/4	31-9/16	1/4	27-1/16	12	15.03	15.03	202	202
195	34-1/4	32-9/16	1/4	28-1/16	12	14.28	14.28	202	202
210	36-1/16	34-3/8	1/4	29-7/8	12	13.40	13.40	206	206
225	37-1/16	35-3/8	1/4	30-7/8	12	12.65	12.65	205	205
245	39-1/16	37-3/8	1/4	32-7/8	12	14.15	14.15	231	231
270	42-1/16	40-3/8	1/4	35-7/8	12	12.90	12.90	236	236
300	45-1/16	43-3/8	1/4	38-7/8	12	14.40	16.64	271	296
330	48-1/16	46-3/8	1/4	41-7/8	12	15.90	18.14	307	334
365	51-1/16	49-3/8	1/4	44-7/8	12	17.15	19.39	343	371
402	54-15/16	53-1/4	1/4	48-3/4	12	19.28	21.52	399	429
445	58-15/16	57-1/4	1/4	52-3/4	12	21.15	23.39	456	489
490	64-7/8	63-1/8	1/4	58-5/8	10	22.40	26.87	871	995
540	69-7/8	68-1/8	1/4	63-5/8	10	27.14	29.37	1081	1148
600	75-7/8	73-3/4	3/8	69-1/2	7	30.14	32.37	1274	1346
660	81-3/4	79-5/8	3/8	75-3/8	7	33.14	37.74	1480	1641
730	88-5/8	86-1/2	3/8	82-1/4	7	36.64	41.24	1740	1915

ALL DIMENSIONS IN INCHES. ESTIMATED WEIGHTS IN LBS.,

**Section A-A**



\*Curb to be coated same as unit  
\*\*Curb height based upon standard installation, using isolation rails and curb mounted on same level as isolators.