



COOK

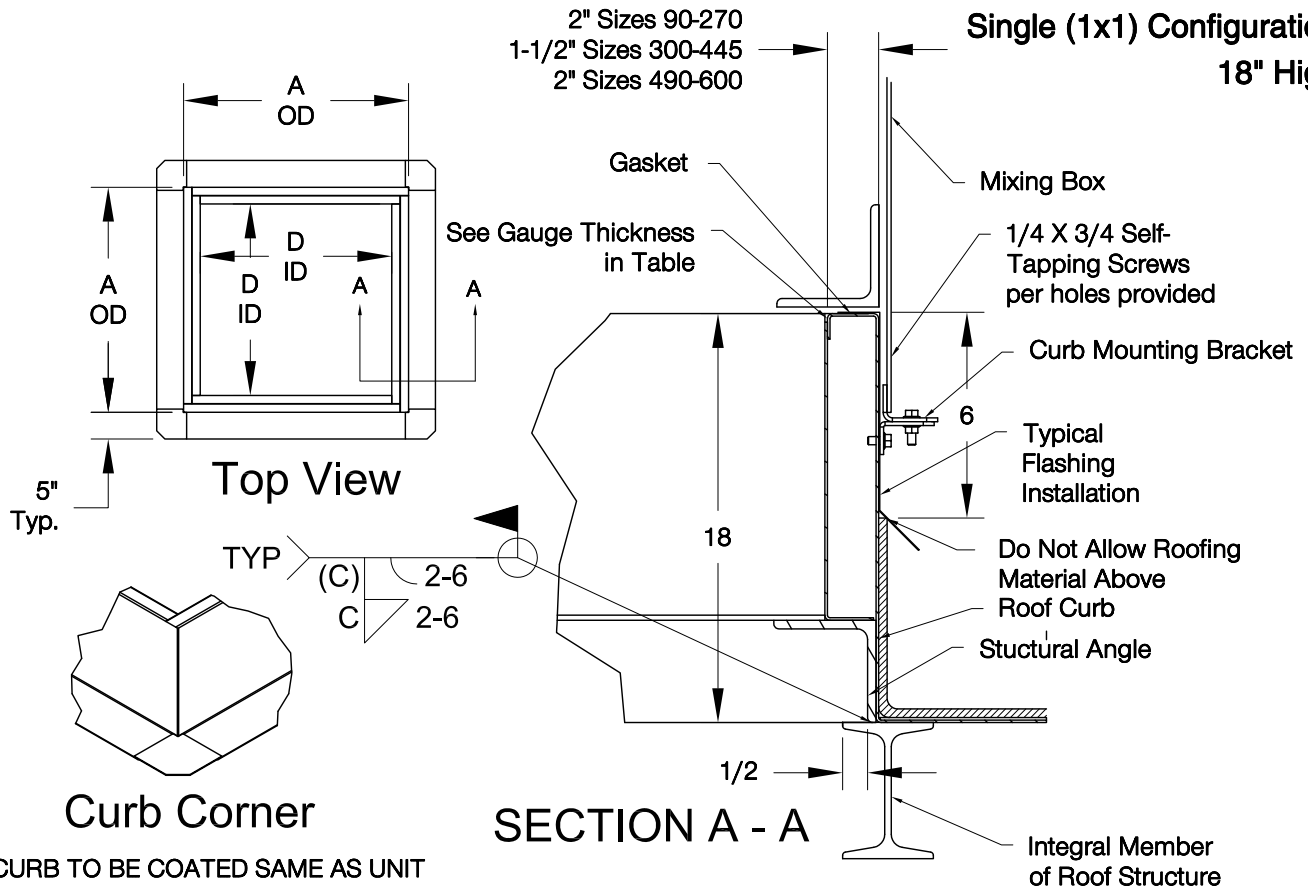
LECQ

DATE: _____

PROJECT: _____

LOCATION: _____

Accessory Data Sheet
Coated Steel Lab Exhauster Curb
QMXLE, QMXLE-HP
QMXVP, QMXVP-HP
Single (1x1) Configuration
18" High



*CURB TO BE COATED SAME AS UNIT

DIMENSION DATA

Size	A	B	C	D	Gauge Thickness	Approx. Ship Wt.
90	27-3/16	25-5/16	1/4	20-13/16	7	332
120	27-3/16	25-5/16	1/4	20-13/16	7	332
135	27-1/8	25-1/4	1/4	20-3/4	7	331
150	29-1/8	27-1/4	1/4	22-3/4	7	357
165	31-1/8	29-1/4	1/4	24-3/4	7	383
180	33-1/8	31-1/4	1/4	26-3/4	7	408
202	36-15/16	35-1/16	1/4	30-9/16	7	451
225	40-15/16	39-1/16	1/4	34-9/16	7	501
245	42-15/16	41-1/16	1/4	36-9/16	7	527
270	46-15/16	45-1/16	1/4	40-9/16	7	577
300	50-15/16	48-15/16	3/8	44-11/16	10	545
330	54-13/16	52-13/16	3/8	48-9/16	10	586
365	60-3/4	58-3/4	3/8	54-1/2	10	651
402	65-5/8	63-5/8	3/8	59-3/8	10	707
445	72-5/8	70-5/8	3/8	66-3/8	10	779
490	78-1/2	76-3/8	3/8	72-1/8	7	1051
540	85-3/8	83-1/4	3/8	79	7	1137
600	94-3/8	92-1/4	3/8	88	7	1270

ALL DIMENSIONS IN INCHES. WEIGHTS IN LBS.,

