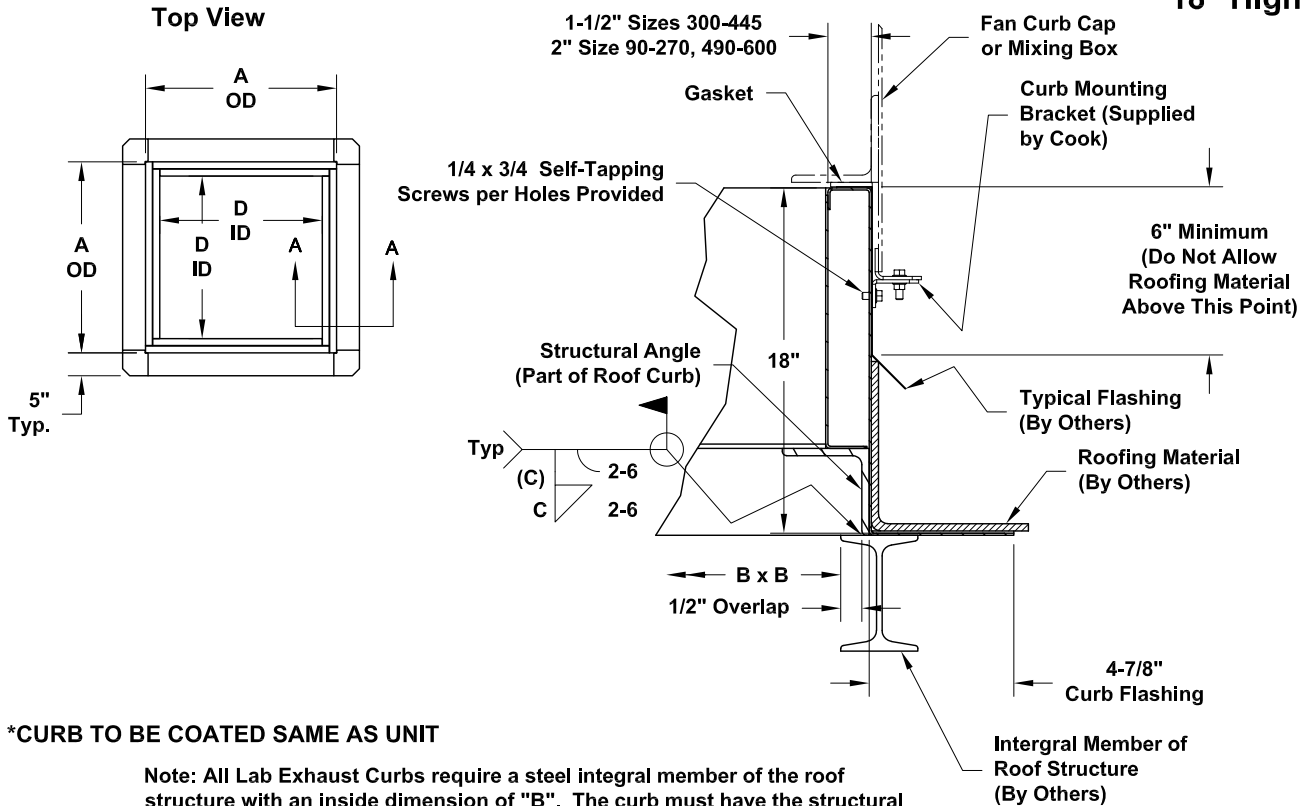




DATE: \_\_\_\_\_  
 PROJECT: \_\_\_\_\_  
 LOCATION: \_\_\_\_\_

**Coated Steel Lab Exhauster Curb**  
**QMXLE, QMXHPL, QMXVP**  
**QMXHPVP, QMXVPA, QMXHPVPA**  
**Single (1x1) Configuration**  
**18" High**



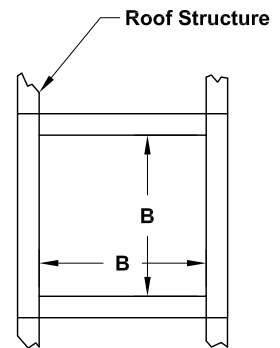
**\*CURB TO BE COATED SAME AS UNIT**

Note: All Lab Exhaust Curbs require a steel integral member of the roof structure with an inside dimension of "B". The curb must have the structural angle field welded to the steel roof structure. Steel roof structure to be determined by the engineer of record.

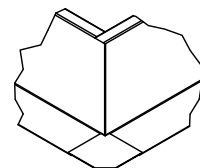
**DIMENSION DATA**

Size	A	B	C	D	Curb Gauge	Approx. Ship Wt.
90	27-3/16	25-5/16	1/4	20-13/16	7	332
120	27-3/16	25-5/16	1/4	20-13/16	7	332
135	27-1/8	25-1/4	1/4	20-3/4	7	331
150	29-1/8	27-1/4	1/4	22-3/4	7	357
165	31-1/8	29-1/4	1/4	24-3/4	7	383
180	33-1/8	31-1/4	1/4	26-3/4	7	408
202	36-15/16	35-1/16	1/4	30-9/16	7	451
225	40-15/16	39-1/16	1/4	34-9/16	7	501
245	42-15/16	41-1/16	1/4	36-9/16	7	527
270	46-15/16	45-1/16	1/4	40-9/16	7	577
300	50-15/16	48-15/16	3/8	44-11/16	10	545
330	54-13/16	52-13/16	3/8	48-9/16	10	586
365	60-3/4	58-3/4	3/8	54-1/2	10	651
402	65-5/8	63-5/8	3/8	59-3/8	10	707
445	72-5/8	70-5/8	3/8	66-3/8	10	779
490	78-1/2	76-3/8	3/8	72-1/8	7	1051
540	85-3/8	83-1/4	3/8	79	7	1137
600	94-3/8	92-1/4	3/8	88	7	1270

ALL DIMENSIONS IN INCHES. WEIGHTS IN LBS.,



**Roof Opening**



**Curb Corner**