

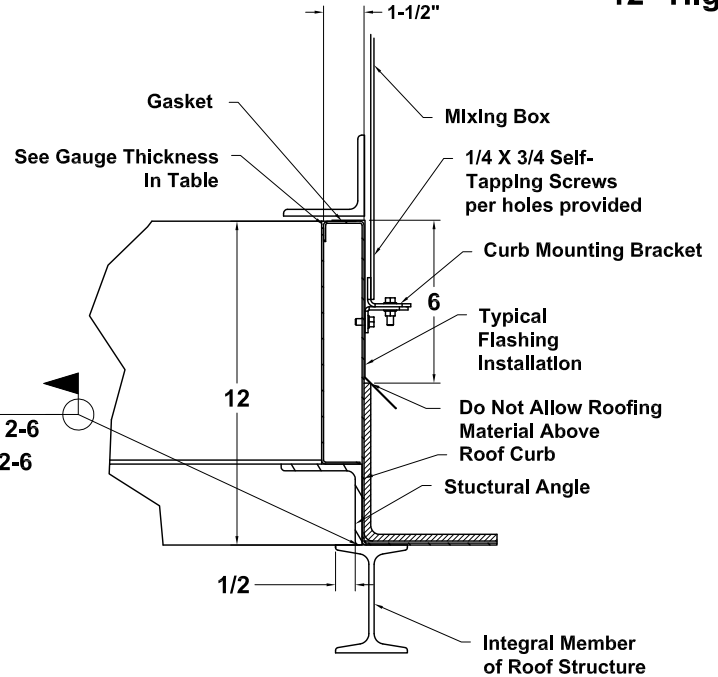
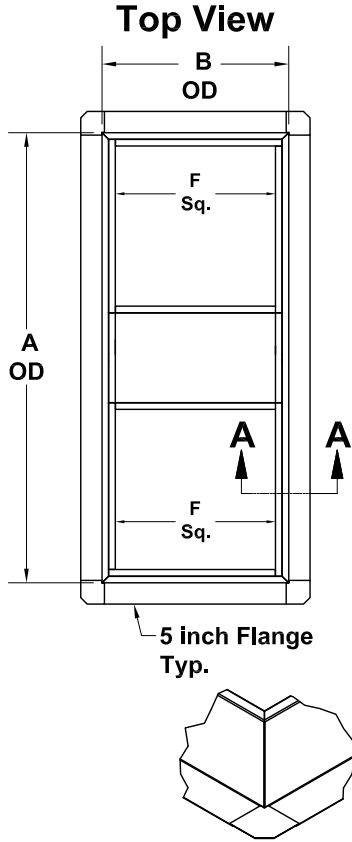


DATE: _____

PROJECT: _____

LOCATION: _____

Accessory Data Sheet
Coated Steel Lab Exhaust Curb
TCNHBLE
Dual (1x2) Configuration
12" High

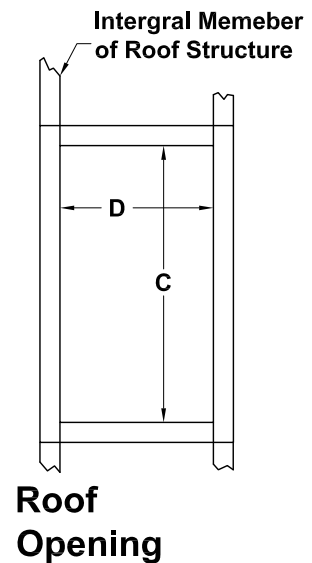


***CURB TO BE COATED SAME AS UNIT.**

DIMENSION DATA

Size	A	B	C	D	E	F	Gauge Thickness	Approx. Ship Wt.
100	50-5/16	23-1/16	48-7/16	21-3/8	1/4	16-7/8	12	255
120	58-5/16	27-1/16	56-7/16	25-3/8	1/4	20-7/8	12	299
135	62-5/16	29	60-7/16	27-5/16	1/4	22-13/16	12	322
150	66-5/16	31	64-7/16	29-5/16	1/4	24-13/16	12	345
165	70-5/16	33	68-7/16	31-5/16	1/4	26-13/16	12	368
180	78-3/16	36-7/8	76-5/16	35-3/16	1/4	30-11/16	12	414
195	86-3/16	40-7/8	84-5/16	39-3/16	1/4	34-11/16	12	464
210	90-3/16	42-7/8	88-5/16	41-3/16	1/4	36-11/16	12	490
225	98-3/16	46-7/8	96-5/16	45-3/16	1/4	40-11/16	12	541
245	102-3/16	48-7/8	100-5/16	47-3/16	1/4	42-11/16	12	568
270	110-3/16	52-7/8	108-5/16	51-3/16	1/4	46-11/16	12	623
300	122-3/16	58-7/8	120-3/16	57-3/16	1/4	52-11/16	12	707
330	126-1/16	60-3/4	124-1/16	59-1/16	1/4	54-9/16	12	735
365	132-1/16	63-3/4	130-1/16	62-1/16	1/4	57-9/16	12	778
402	146-1/16	70-3/4	144-1/16	69-1/16	1/4	64-9/16	12	886
445	156-1/16	75-3/4	154-1/16	74-1/16	1/4	69-9/16	12	964
490	170-1/16	82-3/4	168-1/16	80-3/4	3/8	76-1/2	10	1308

ALL DIMENSIONS IN INCHES. WEIGHTS IN LBS.



Note: All Lab Exhaust Curbs over 168" in length will ship knocked down.