

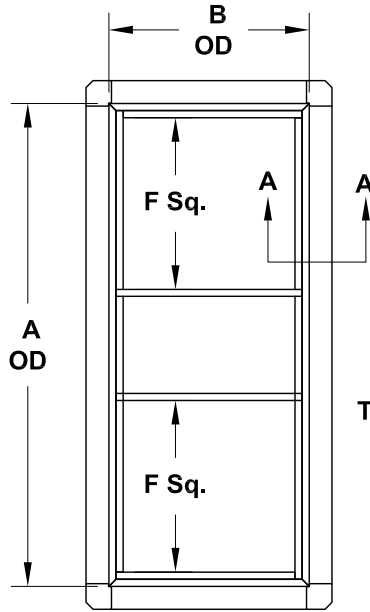


COOK

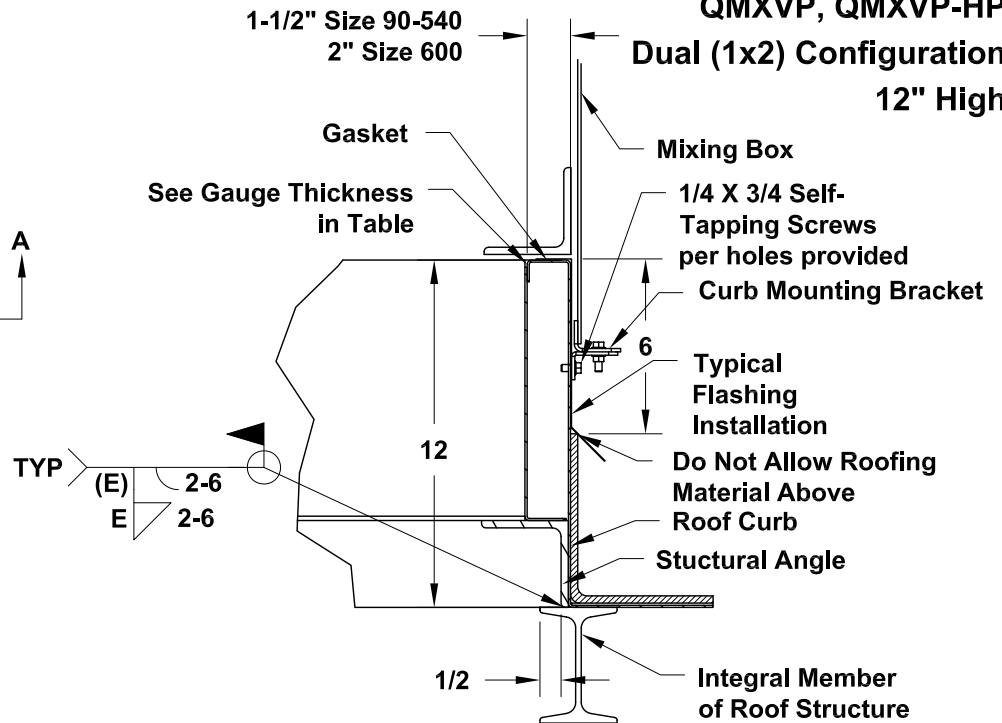
LECQ

DATE: _____
 PROJECT: _____
 LOCATION: _____

Accessory Data Sheet
Coated Steel Lab Exhaust Curb
QMXLE, QMXLE-HP
QMXVP, QMXVP-HP
Dual (1x2) Configuration
12" High



Top View



SECTION A - A

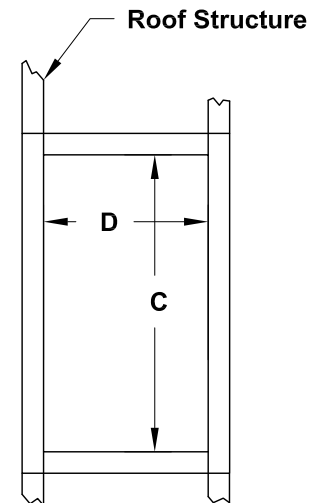
Note: All Lab Exhaust Curbs over 168" in length will ship knocked down.

***CURB TO BE COATED SAME AS UNIT**

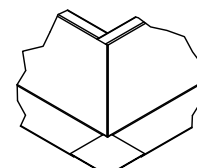
DIMENSION DATA

Size	A	B	C	D	E	F	Gauge Thickness	Approx. Ship Wt.
90	63-5/16	27-3/16	61-5/8	25-1/2	1/4	21	12	325
120	63-5/16	27-3/16	61-5/8	25-1/2	1/4	21	12	325
135	63-5/16	27-1/8	61-5/8	25-7/16	1/4	20-15/16	12	324
150	67-5/16	29-1/8	65-5/8	27-7/16	1/4	22-15/16	12	348
165	71-5/16	31-1/8	69-5/8	29-7/16	1/4	24-15/16	12	372
180	83-5/16	33-1/8	81-5/8	31-7/16	1/4	26-15/16	12	432
202	89-1/8	36-15/16	87-7/16	35-1/4	1/4	30-3/4	12	472
225	92-1/8	40-15/16	90-7/16	39-1/4	1/4	34-3/4	12	501
245	107-1/8	42-15/16	105-7/16	41-1/4	1/4	36-3/4	12	582
270	111-1/8	46-15/16	109-7/16	45-1/4	1/4	40-3/4	12	617
300	131-1/8	50-15/16	129-7/16	49-1/4	1/4	44-3/4	12	741
330	135-1/8	54-13/16	133-7/16	53-1/8	1/4	48-5/8	12	778
365	158	60-3/4	156-5/16	59-1/16	1/4	54-9/16	12	939
402	163	65-5/8	161-5/16	63-15/16	1/4	59-7/16	12	989
445	170	72-5/8	168-5/16	70-15/16	1/4	66-7/16	12	1061
490	191	78-1/2	189	76-1/2	3/8	72-1/4	10	1475
540	200-7/8	85-3/8	198-7/8	83-3/8	3/8	79-1/8	10	1589
600	211-7/8	94-3/8	209-3/4	92-1/4	3/8	88	7	2005

ALL DIMENSIONS IN INCHES. WEIGHTS IN LBS.,



Roof Opening



Curb Corner

X0164R00