

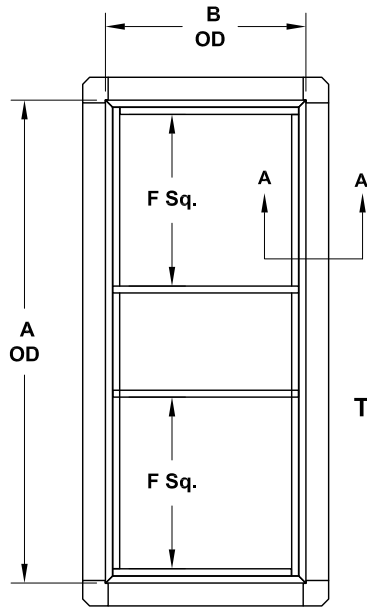


COOK

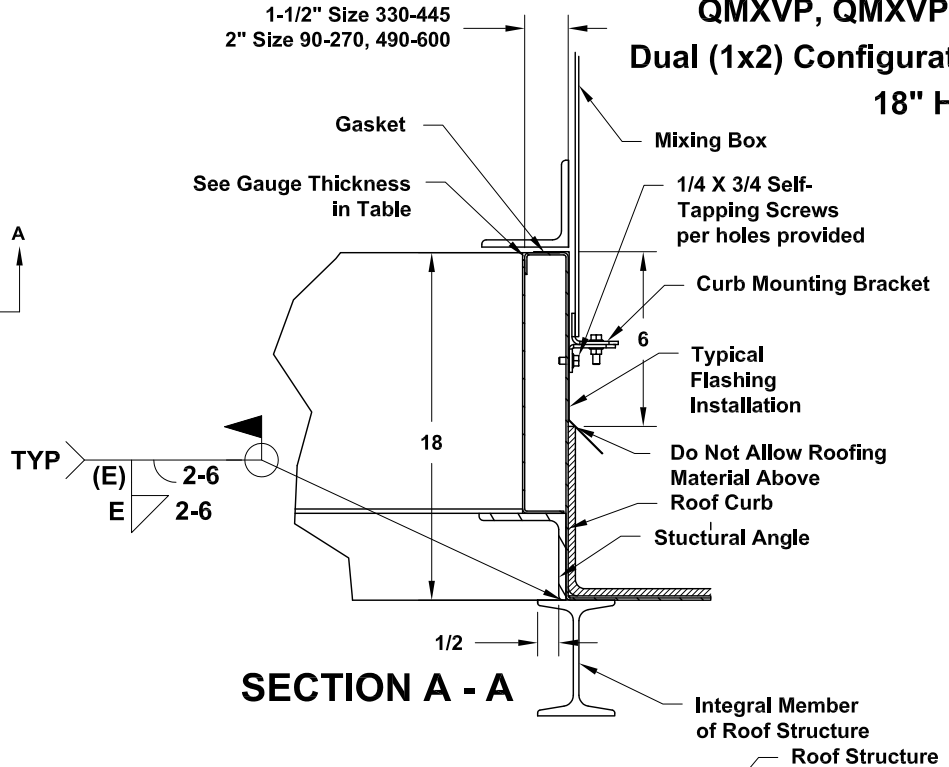
LECQ

DATE: _____
 PROJECT: _____
 LOCATION: _____

Accessory Data Sheet
Coated Steel Lab Exhauster Curb
QMXLE, QMXLE-HP
QMXVP, QMXVP-HP
Dual (1x2) Configuration
18" High



Top View



SECTION A - A

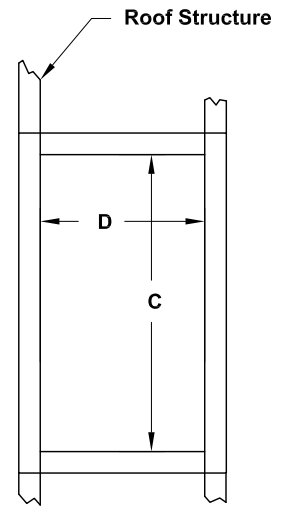
***CURB TO BE COATED SAME AS UNIT**

Note: All Lab Exhaust Curls over 168" in length will ship knocked down.

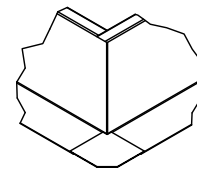
DIMENSION DATA

Size	A	B	C	D	E	F	Gauge Thickness	Approx. Ship Wt.
90	63-5/16	27-3/16	61-7/16	25-5/16	1/4	20 13/16	7	559
120	63-5/16	27-3/16	61-7/16	25-5/16	1/4	20-13/16	7	559
135	63-5/16	27-1/8	61-7/16	25-1/4	1/4	20-3/4	7	559
150	67-5/16	29-1/8	65-7/16	27-1/4	1/4	22-3/4	7	599
165	71-5/16	31-1/8	69-7/16	29-1/4	1/4	24-3/4	7	639
180	83-5/16	33-1/8	81-7/16	31-1/4	1/4	26-3/4	7	737
202	89-1/8	36-15/16	87-1/4	35-1/16	1/4	30-9/16	7	796
225	92-1/8	40-15/16	90-1/4	39-1/16	1/4	34-9/16	7	845
245	107-1/8	42-15/16	105-1/4	41-1/16	1/4	36-9/16	7	970
270	111-1/8	46-15/16	109-1/4	45-1/16	1/4	40-9/16	7	1027
300	131-1/8	50-15/16	129-1/8	48-15/16	3/8	44-11/16	10	1064
330	135-1/8	54-13/16	133-1/8	52-13/16	3/8	48-9/16	10	1114
365	158	60-3/4	156	58-3/4	3/8	54-1/2	10	1327
402	163	65-5/8	161	63-5/8	3/8	59-3/8	10	1399
445	170	72-5/8	168	70-5/8	3/8	66-3/8	10	1492
490	191	78-1/2	188-7/8	76-3/8	3/8	72-1/8	7	2043
540	200-7/8	85-3/8	198-3/4	83-1/4	3/8	79	7	2188
600	211-7/8	94-3/8	209-3/4	92-1/4	3/8	88	7	2387

ALL DIMENSIONS IN INCHES. WEIGHTS IN LBS.,



Roof Opening



Curb Corner