



COOK

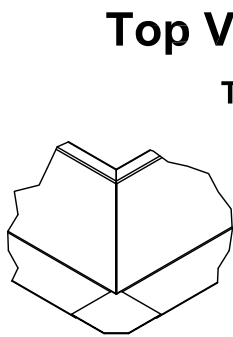
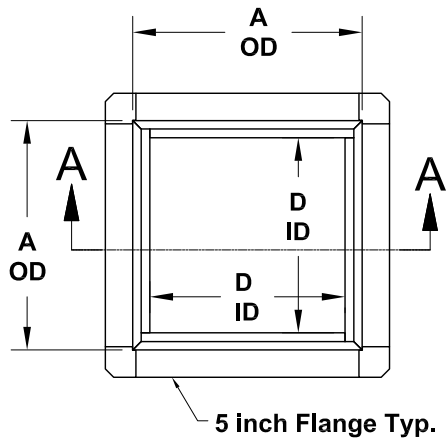
LECT

DATE: _____

PROJECT: _____

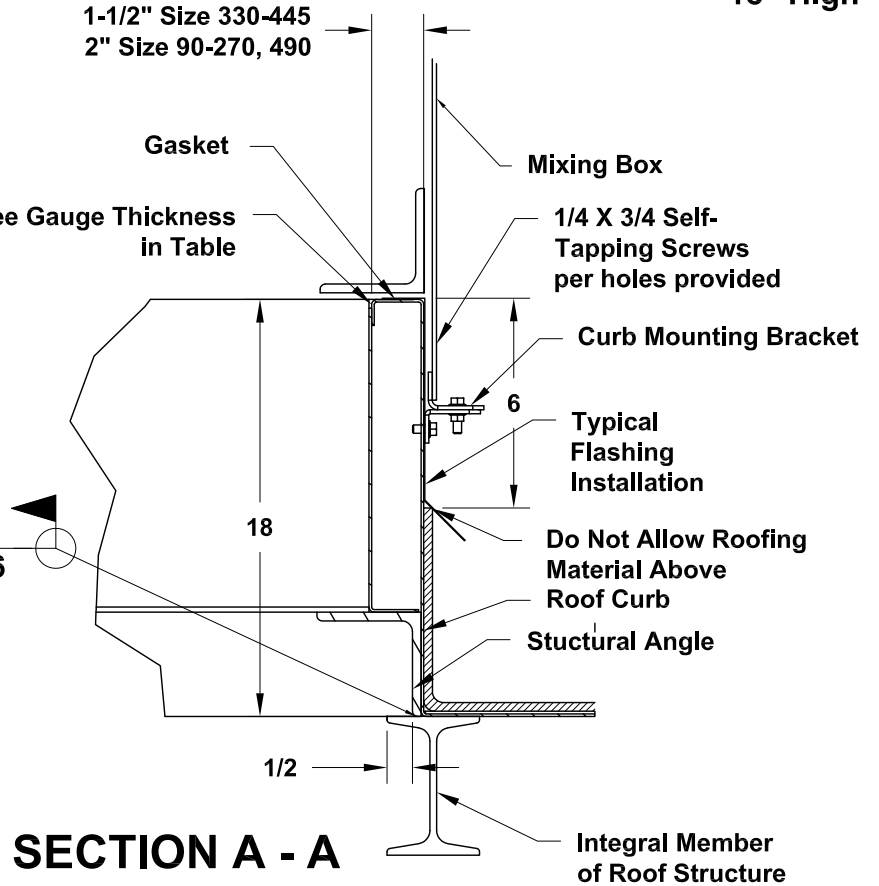
LOCATION: _____

Accessory Data Sheet
Coated Steel Lab Exhauster Curb
TCNHBLE
Single (1x1) Configuration
18" High



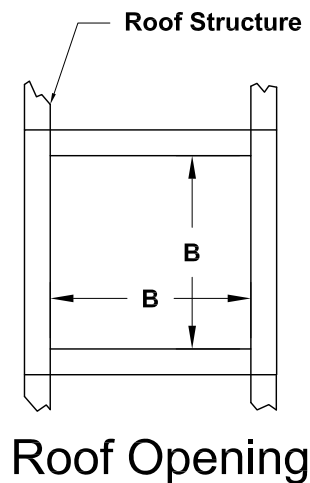
Curb Corner

*CURB TO BE COATED SAME AS UNIT.



DIMENSION DATA

Size	A	B	C	D	Gauge Thickness	Approx. Ship Wt.
60-100	23-1/16	21-3/16	1/4	16-11/16	7	253
120	27-1/16	25-3/16	1/4	20-11/16	7	296
135	29	27-1/8	1/4	22-5/8	7	318
150	31	29-1/8	1/4	24-5/8	7	339
165	33	31-1/8	1/4	26-5/8	7	361
180	36-7/8	35	1/4	30-1/2	7	403
195	40-7/8	39	1/4	34-1/2	7	447
210	42-7/8	41	1/4	36-1/2	7	470
225	46-7/8	45	1/4	40-1/2	7	515
245	48-7/8	47	1/4	42-1/2	7	538
270	52-7/8	51	1/4	46-1/2	7	583
300	58-7/8	56-7/8	3/8	52-5/8	10	576
330	60-3/4	58-3/4	3/8	54-1/2	10	596
365	63-3/4	61-3/4	3/8	57-1/2	10	627
402	70-3/4	68-3/4	3/8	64-1/2	10	699
445	75-3/4	73-3/4	3/8	69-1/2	10	752
490	82-3/4	80-5/8	3/8	76-3/8	7	997



ALL DIMENSIONS IN INCHES. WEIGHT IN LBS.