



COOK

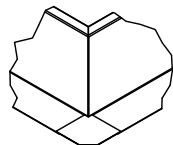
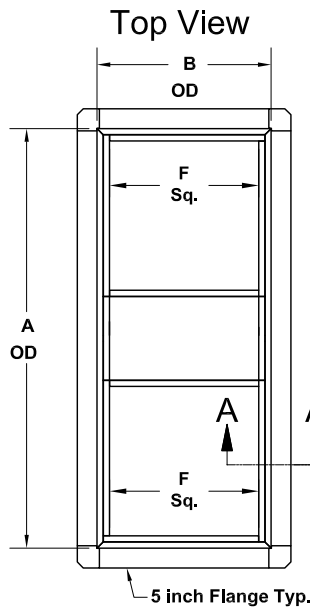
LECT

DATE: _____

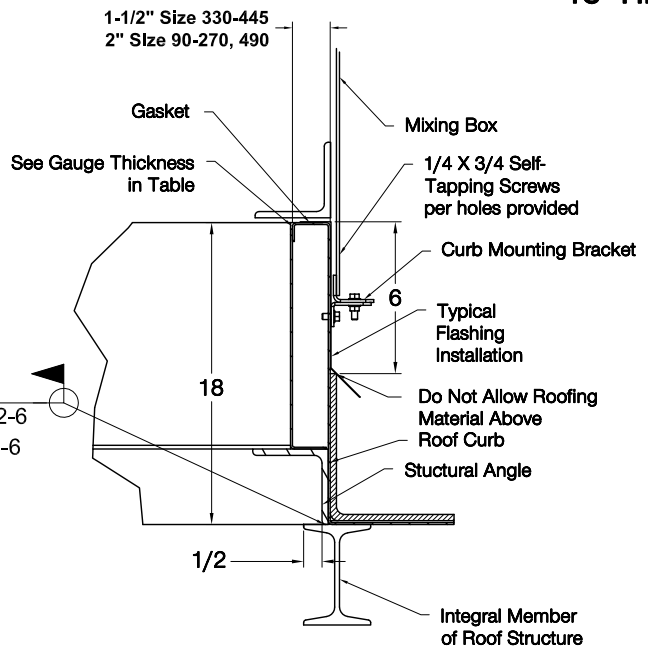
PROJECT: _____

LOCATION: _____

Accessory Data Sheet
Coated Steel Lab Exhaust Curb
TCNHBLE
Dual (1x2) Configuration
18" High



Curb Corner

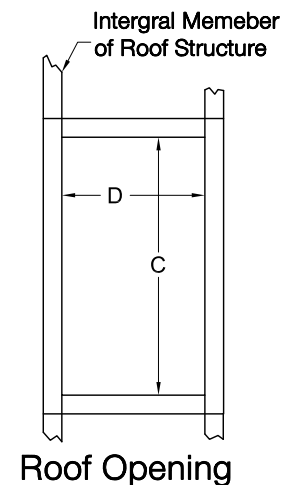


*CURB TO BE COATED SAME AS UNIT.

DIMENSION DATA

Size	A	B	C	D	E	F	Gauge Thickness	Approx. Ship Wt.
100	50-5/16	23-1/16	48-7/16	21-3/16	1/4	16-7/8	7	450
120	58-5/16	27-1/16	56-7/16	25-3/16	1/4	20-7/8	7	529
135	62-5/16	29	60-7/16	27-1/8	1/4	22-13/16	7	569
150	66-5/16	31	64-7/16	29-1/8	1/4	24-13/16	7	609
165	70-5/16	33	68-7/16	31-1/8	1/4	26-13/16	7	650
180	78-3/16	36-7/8	76-5/16	35	1/4	30-11/16	7	731
195	86-3/16	40-7/8	84-5/16	39	1/4	34-11/16	7	815
210	90-3/16	42-7/8	88-5/16	41	1/4	36-11/16	7	858
225	98-3/16	46-7/8	96-5/16	45	1/4	40-11/16	7	944
245	102-3/16	48-7/8	100-5/16	47	1/4	42-11/16	7	990
270	110-3/16	52-7/8	108-5/16	51	1/4	46-11/16	7	1079
300	122-3/16	58-7/8	120-3/16	56-7/8	3/8	52-11/16	10	1076
330	126-1/16	60-3/4	124-1/16	58-3/4	3/8	54-9/16	10	1115
365	132-1/16	63-3/4	130-1/16	61-3/4	3/8	57-9/16	10	1177
402	146-1/16	70-3/4	144-1/16	68-3/4	3/8	64-9/16	10	1328
445	156-1/16	75-3/4	154-1/16	73-3/4	3/8	69-9/16	10	1439
490	170-1/16	82-3/4	167-15/16	80-5/8	3/8	76-1/2	7	1890

ALL DIMENSIONS IN INCHES. WEIGHTS IN LBS.



Note: All Lab Exhaust Curbs over 168" in length will ship knocked down.