



COOK

LECT

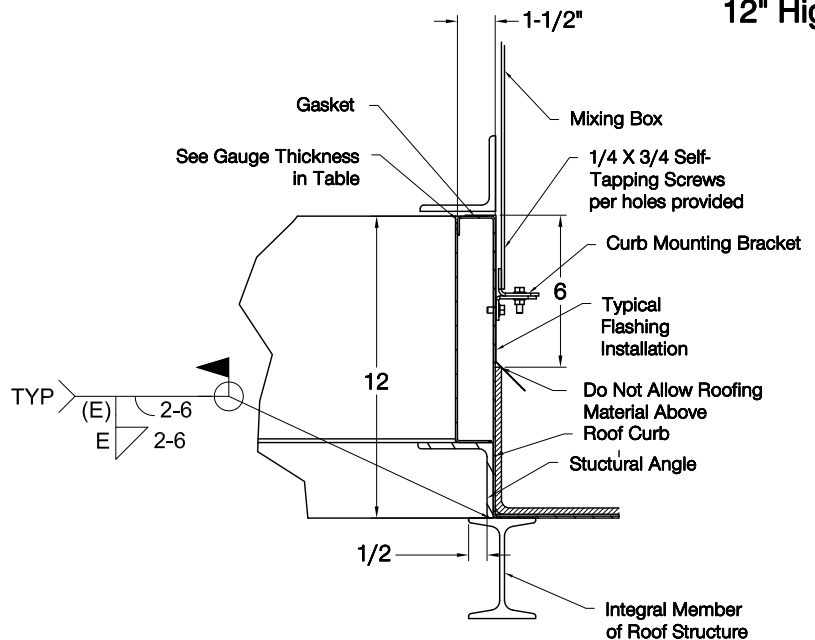
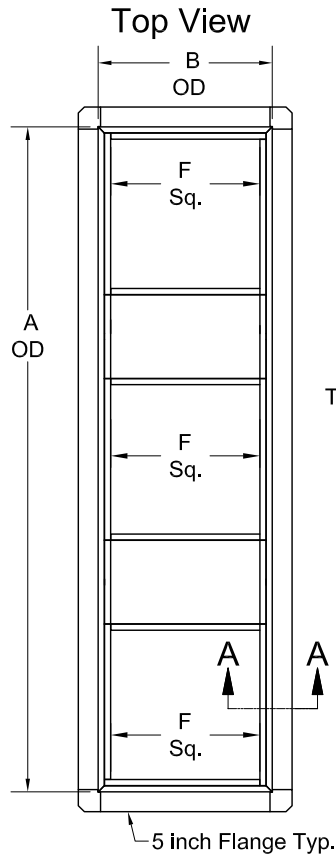
DATE: _____

PROJECT: _____

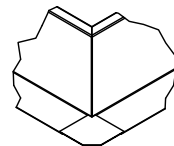
LOCATION: _____

Accessory Data Sheet
Coated Steel Lab Exhaust Curb
TCNHBLE
Triple (1x3) Configuration
12" High

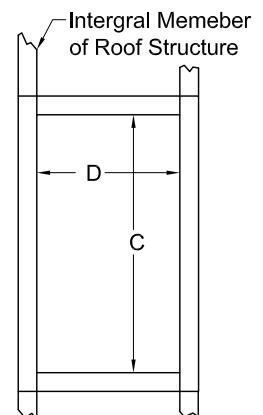
*CURB TO BE COATED SAME AS UNIT.



SECTION A - A



Curb Corner



Roof Opening

DIMENSION DATA

Size	A	B	C	D	E	F	Gauge Thickness	Approx. Ship Wt.
100	77-11/16	23-1/16	76	21-3/8	1/4	16-7/8	12	392
120	89-11/16	27-1/16	88	25-3/8	1/4	20-7/8	12	466
135	95-5/8	29	93-15/16	27-5/16	1/4	22-13/16	12	503
150	101-5/8	31	99-15/16	29-5/16	1/4	24-13/16	12	542
165	107-5/8	33	105-15/16	31-5/16	1/4	26-13/16	12	582
180	119-1/2	36-7/8	117-13/16	35-3/16	1/4	30-11/16	12	663
195	131-1/2	40-7/8	129-13/16	39-3/16	1/4	34-11/16	12	749
210	137-1/2	42-7/8	135-13/16	41-3/16	1/4	36-11/16	12	793
225	149-1/2	46-7/8	147-13/16	45-3/16	1/4	40-11/16	12	884
245	155-1/2	48-7/8	153-13/16	47-3/16	1/4	42-11/16	12	931
270	167-1/2	52-7/8	165-13/16	51-3/16	1/4	46-11/16	12	1028
300	185-1/2	58-7/8	183-13/16	57-3/16	1/4	52-11/16	12	1180
330	191-3/8	60-3/4	189-11/16	59-1/16	1/4	54-9/16	12	1231
365	200-3/8	63-3/4	198-11/16	62-1/16	1/4	57-9/16	12	1311
402	221-3/8	70-3/4	219-11/16	69-1/16	1/4	64-9/16	12	1505
445	236-3/8	75-3/4	234-11/16	74-1/16	1/4	69-9/16	12	1652
490	257-3/8	82-3/4	255-3/8	80-3/4	3/8	76-1/2	10	2192

ALL DIMENSIONS IN INCHES. WEIGHT IN LBS.

Note: All Lab Exhaust Curbs over 168" in length will ship knocked down.

X0168R00