



COOK

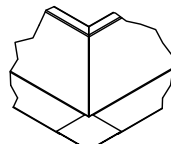
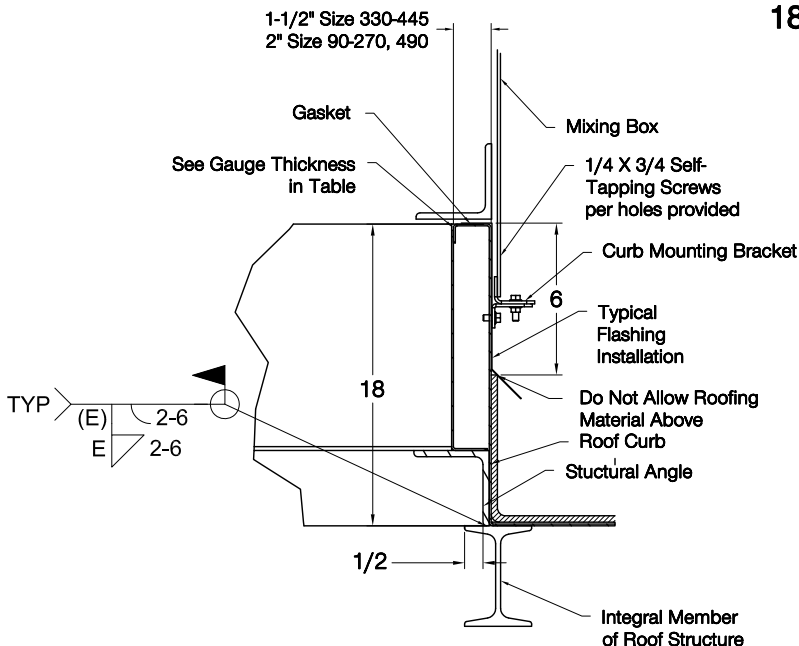
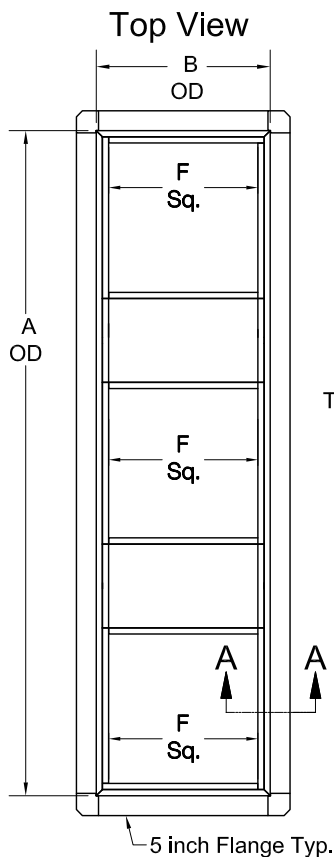
LECT

DATE: _____

PROJECT: _____

LOCATION: _____

Accessory Data Sheet
Coated Steel Lab Exhaust Curb
TCNHBLE
Triple (1x3) Configuration
18" High



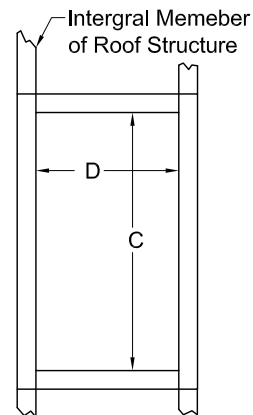
Curb Corner

*CURB TO BE COATED SAME AS UNIT.

DIMENSION DATA

Size	A	B	C	D	E	F	Gauge Thickness	Approx. Ship Wt.
100	77-11/16	23-1/16	75-13/16	21-3/16	1/4	16-11/16	7	689
120	89-11/16	27-1/16	87-13/16	25-3/16	1/4	20-11/16	7	815
135	95-5/8	29	93-3/4	27-1/8	1/4	22-5/8	7	877
150	101-5/8	31	99-3/4	29-1/8	1/4	24-5/8	7	942
165	107-5/8	33	105-3/4	31-1/8	1/4	26-5/8	7	1008
180	119-1/2	36-7/8	117-5/8	35	1/4	30-1/2	7	1141
195	131-1/2	40-7/8	129-5/8	39	1/4	34-1/2	7	1279
210	137-1/2	42-7/8	135-5/8	41	1/4	36-1/2	7	1349
225	149-1/2	46-7/8	147-5/8	45	1/4	40-1/2	7	1492
245	155-1/2	48-7/8	153-5/8	47	1/4	42-1/2	7	1566
270	167-1/2	52-7/8	165-5/8	51	1/4	46-1/2	7	1715
300	185-1/2	58-7/8	183-1/2	56-7/8	3/8	52-5/8	10	1731
330	191-3/8	60-3/4	189-3/8	58-3/4	3/8	54-1/2	10	1800
365	200-3/8	63-3/4	198-3/8	61-3/4	3/8	57-1/2	10	1907
402	221-3/8	70-3/4	219-3/8	68-3/4	3/8	64-1/2	10	2167
445	236-3/8	75-3/4	234-3/8	73-3/4	3/8	69-1/2	10	2360
490	257-3/8	82-3/4	255-1/4	80-5/8	3/8	76-3/8	7	3070

ALL DIMENSIONS IN INCHES. WEIGHT IN LBS.



Roof Opening

Note: All Lab Exhaust Curbs over 168" in length will ship knocked down.