



# COOK

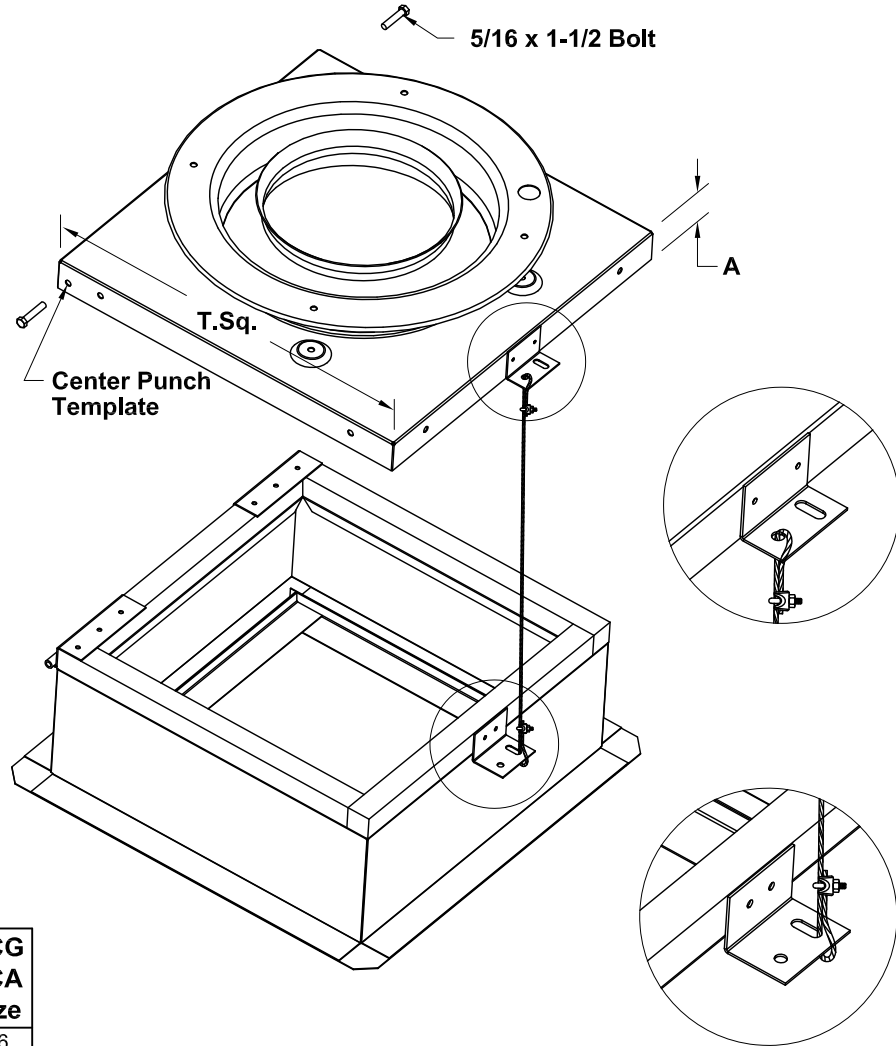
# Hinged Base Kit

DATE: \_\_\_\_\_

PROJECT: \_\_\_\_\_

LOCATION: \_\_\_\_\_

Accessory Data Sheet  
Centrifugal Roof Exhausters



### DIMENSION DATA

| Size | Cable Length | A     | T Sq. | RCG RCA Size |
|------|--------------|-------|-------|--------------|
| 70   | 26           | 2-1/4 | 18    | 16           |
| 90   | 26           | 2-1/4 | 18    | 16           |
| 100  | 26           | 2-1/4 | 18    | 16           |
| 120  | 31           | 2-1/4 | 20    | 18           |
| 135  | 31           | 2-1/4 | 20    | 18           |
| 150  | 37           | 2-1/4 | 24    | 22           |
| 165  | 37           | 2-1/2 | 24    | 22           |
| 180  | 46-1/2       | 3-1/4 | 30    | 28           |
| 195  | 46-1/2       | 3-1/4 | 30    | 28           |
| 210  | 46-1/2       | 3-1/4 | 30    | 28           |
| 225  | 46-1/2       | 3-1/4 | 30    | 28           |
| 245  | 46-1/2       | 3-1/4 | 30    | 28           |
| 270  | 56           | 3-1/4 | 36    | 34           |
| 300  | 56           | 3-1/4 | 36    | 34           |

ALL DIMENSIONS IN INCHES.  
 \*Consult factory for ACSC units.  
 Maximum weight 400 lbs.