



**COOK**

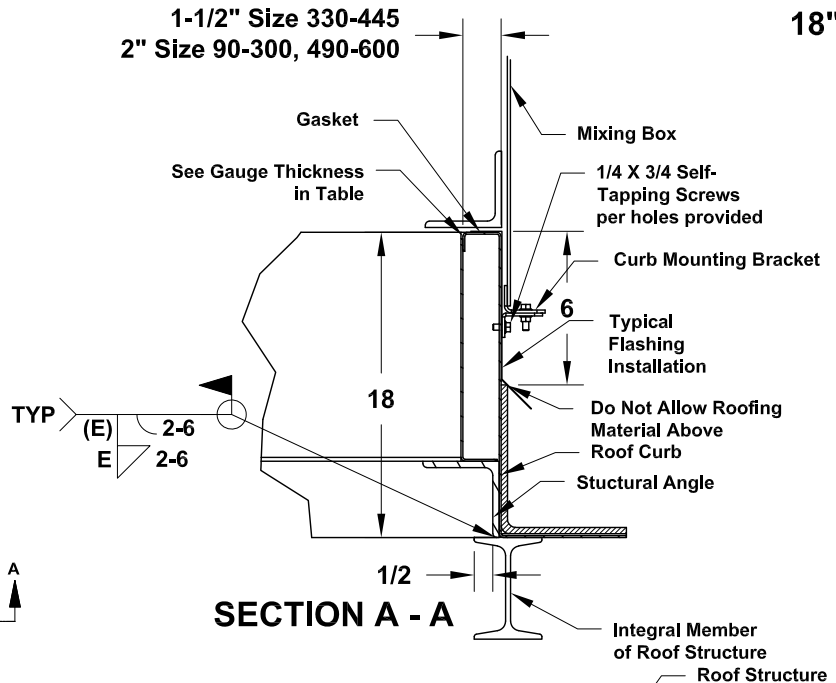
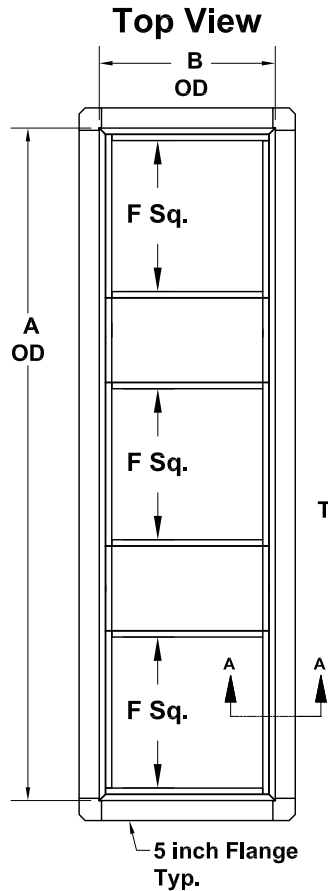
**LECQ**

DATE: \_\_\_\_\_

PROJECT: \_\_\_\_\_

LOCATION: \_\_\_\_\_

**Accessory Data Sheet**  
**Coated Steel Lab Exhaust Curb**  
**QMXLE, QMXLE-HP**  
**QMXVP, QMXVP-HP**  
**Triple (1x3) Configuration**  
**18" High**



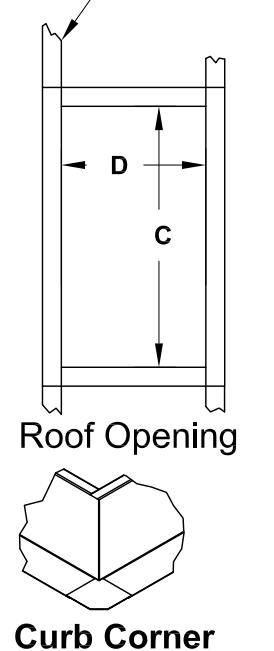
**Note: All Lab Exhaust Curbs over 168" in length will ship knocked down.**

**\*CURB TO BE COATED SAME AS UNIT**

**DIMENSION DATA**

Size	A	B	C	D	E	F	Gauge Thickness	Approx. Ship Wt.
90	99-1/2	27-3/16	97-5/8	25-5/16	1/4	20-13/16	7	887
120	99-1/2	27-3/16	97-5/8	25-5/16	1/4	20-13/16	7	887
135	99-1/2	27-1/8	97-5/8	25-1/4	1/4	20-3/4	7	887
150	105-1/2	29-1/8	103-5/8	27-1/4	1/4	22-3/4	7	953
165	111-1/2	31-1/8	109-5/8	29-1/4	1/4	24-3/4	7	1019
180	133-1/2	33-1/8	131-5/8	31-1/4	1/4	26-3/4	7	1217
202	141-1/4	36-15/16	139-3/8	35-1/16	1/4	30-9/16	7	1307
225	143-1/4	40-15/16	141-3/8	39-1/16	1/4	34-9/16	7	1363
245	171-5/16	42-15/16	169-7/16	41-1/16	1/4	36-9/16	7	1633
270	175-5/16	46-15/16	173-7/16	45-1/16	1/4	40-9/16	7	1710
300	211-5/16	50-15/16	209-5/16	48-15/16	3/8	44-11/16	10	1871
330	215-5/16	54-13/16	213-5/16	52-13/16	3/8	48-9/16	10	1939
365	255-1/4	60-3/4	253-1/4	58-3/4	3/8	54-1/2	10	2391
402	260-3/8	65-5/8	258-3/8	63-5/8	3/8	59-3/8	10	2492
445	267-3/8	72-5/8	265-3/8	70-5/8	3/8	66-3/8	10	2618
490	303-1/2	78-1/2	301-3/8	76-3/8	3/8	72-1/8	7	3571
540	316-3/8	85-3/8	314-1/4	83-1/4	3/8	79	7	3803
600	329-3/8	94-3/8	327-1/4	92-1/4	3/8	88	7	4100

ALL DIMENSIONS IN INCHES, WEIGHT IN LBS.  
 \* INSIDE THROAT DIMENSIONS.



X0173R00