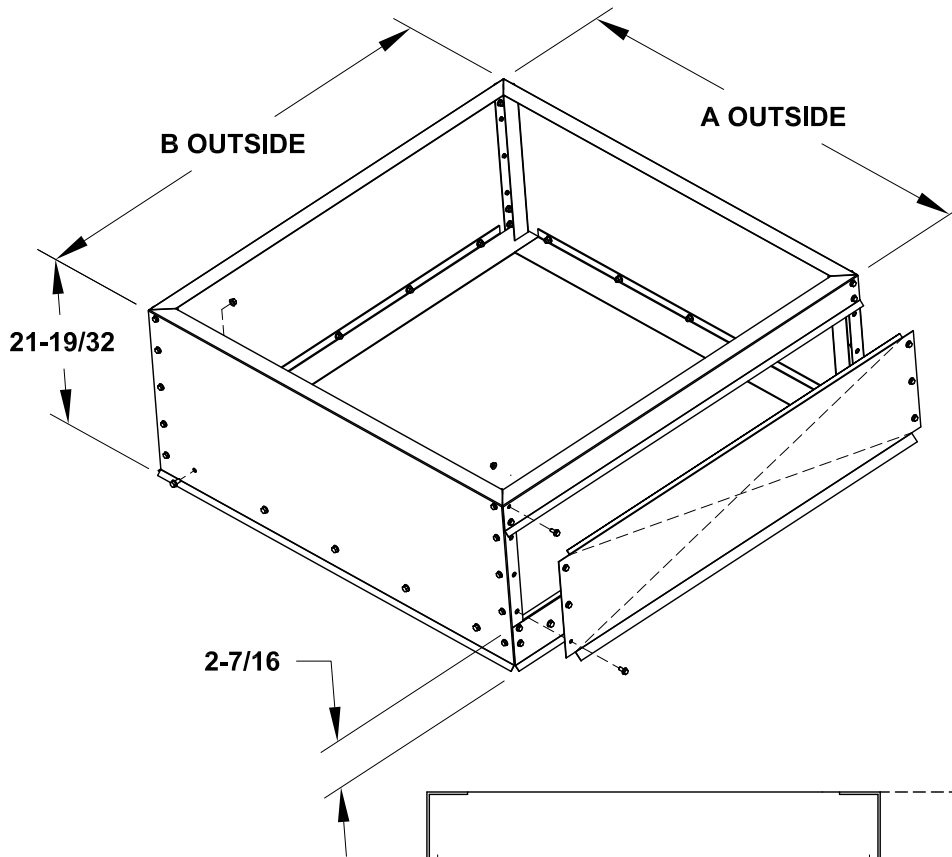


MARK: _____

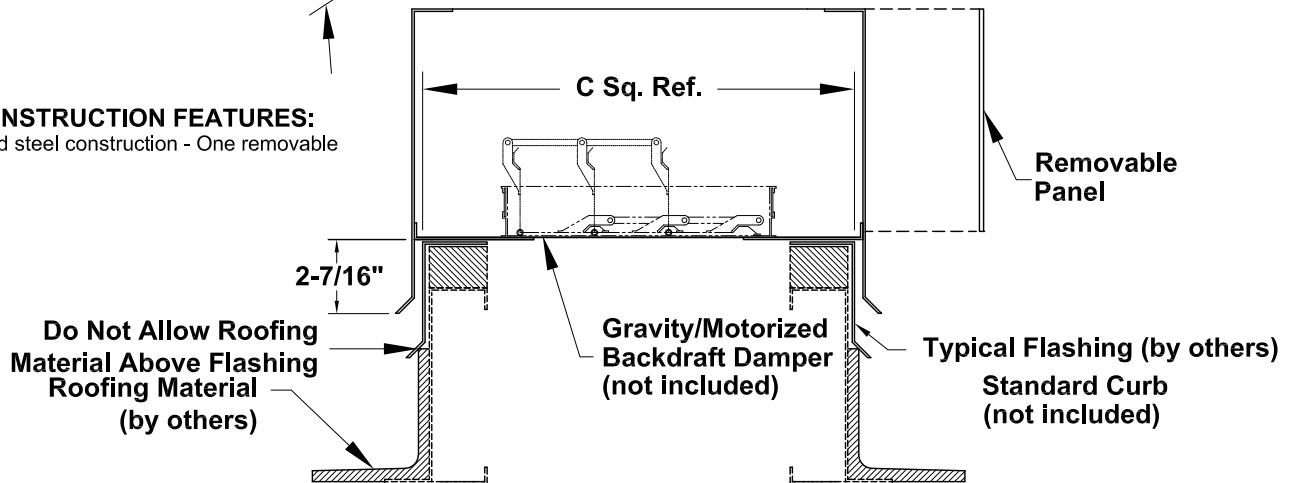
PROJECT: _____

DATE: _____

Heavy Duty Extended Base with Damper Access Door



STANDARD CONSTRUCTION FEATURES:
16 gauge galvanized steel construction - One removable side panel.



DIMENSION DATA

PR/TR Propeller Units	Catalog No.	A	B	Curb*		Ship Wt. Steel
				Size	C Sq.	
36	HXB-46	47-9/16	47-5/8	RCG-46	46-1/2	128
42	HXB-52	53-9/16	53-5/8	RCG-52	52-1/2	143
48	HXB-58	59-9/16	59-5/8	RCG-58	58-1/2	159
54	HXB-64	65-9/16	65-5/8	RCG-64	64-1/2	175
60	HXB-70	71-9/16	71-5/8	RCG-70	70-1/2	192
72	HXB-82	83-9/16	83-5/8	RCG-82	82-1/2	217

ALL DIMENSIONS IN INCHES. WEIGHTS IN LBS.

*RECOMMENDED CURB SIZE, FOR CURBS BY OTHERS DO NOT EXCEED C SQUARE DIMENSION.