

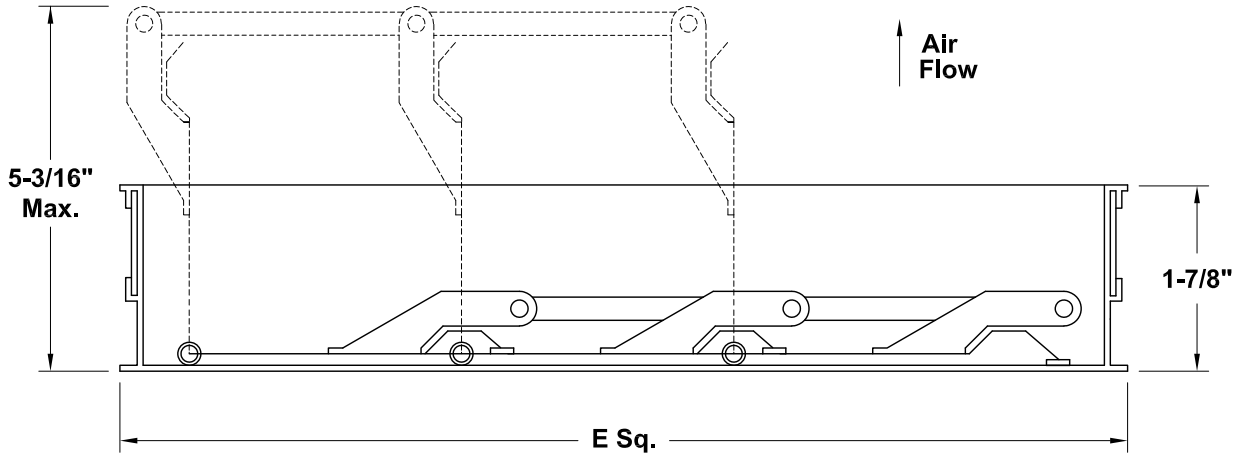


DATE: \_\_\_\_\_

## Gravity Backdraft Damper

PROJECT: \_\_\_\_\_

LOCATION: \_\_\_\_\_



### STANDARD CONSTRUCTION FEATURES:

.020 aluminum blades - .060 aluminum frame -  
 Aluminum hinge pins - Nylon bushings.

### DIMENSION DATA

Qty	Mark	Centrifugal Units	ACW Units	Lo-Pro Units	Propeller Units	PR/TR Units	Cat. No.	E Sq.	Unit Wt.
		-	70	-	-	-	BD-8	7-3/4	1
		-	90,100	-	-	-	BD-10	9-3/4	1
		60,70,80,90,100	120,135	-	-	8	BD-12	11-3/4	2
		120,135	-	100	12	12	BD-14	13-3/4	2
		-	150,165	-	-	-	BD-16	15-3/4	3
		150,165	-	120,135,150,165	-	-	BD-18	17-3/4	3
		-	180,195	-	-	-	BD-20	19-3/4	4
		-	-	-	16	16	BD-22	21-3/4	4
		180,195,210,225,245	210,225,245	180,195,210,225	-	-	BD-24	23-3/4	5
		-	-	-	20	20	BD-26	25-3/4	5
		270,300	-	245,270	24	24	BD-30	29-3/4	6
		330,365	-	300,330	30	30	BD-36	35-3/4	9
		402	-	365,402	36	36	BD-42	41-3/4	12
		445,490	-	-	42	42	BD-48	47-3/4	15
		-	-	445,490	48	48	BD-54	53-3/4	19
		540	-	540	54	-	BD-60	59-3/4	23
		-	-	-	60	-	BD-66	65-3/4	32
		-	-	-	72	-	BD-78	77-3/4	44

ALL DIMENSIONS IN INCHES. WEIGHTS IN LBS.

### NOTES:

Max. operating temperature 200°F (95°C).  
 Max. discharge velocity 2000 f.p.m.  
 BD-36 to BD-60 shipped as 2 panels.  
 BD-66 and BD-78 shipped as 6 panels.