



COOK

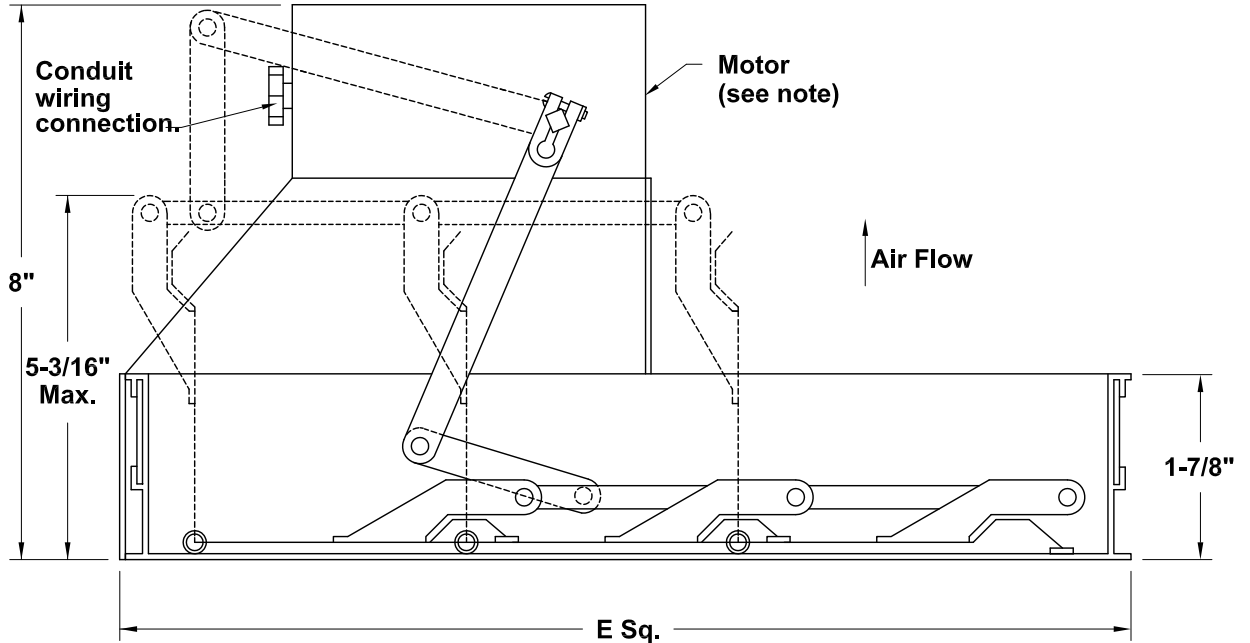
BDM

DATE: _____

Motorized Backdraft Damper

PROJECT: _____

LOCATION: _____



STANDARD CONSTRUCTION FEATURES:

- .020 aluminum blades - .060 aluminum frame -
- Aluminum hinge pins - Nylon bushings -
- Non-overloading motor.

DIMENSION DATA

Qty	Mark	Centrifugal Units	Lo-Pro Units	Propeller Units	PR/TR Units	Cat. No.	E Sq.	Unit Wt.
		60,70,80,90,100	-	-	8	BDM-12	11-3/4	4
		120,135	100	12	12	BDM-14	13-3/4	4
		150,165	120,135,150,165	-	-	BDM-18	17-3/4	5
		-	-	16	16	BDM-22	21-3/4	6
		180,195,210,225,245	180,195,210,225	-	-	BDM-24	23-3/4	7
		-	-	20	20	BDM-26	25-3/4	7
		270,300	245,270	24	24	BDM-30	29-3/4	8
		330,365	300,330	30	30	BDM-36	35-3/4	13
		402	365,402	36	36	BDM-42	41-3/4	16
		445,490	-	42	42	BDM-48	47-3/4	19
		-	445,490	48	48	BDM-54	53-3/4	23
		540	540	54	-	BDM-60	59-3/4	27
		-	-	60	-	BDM-66	65-3/4	38
		-	-	72	-	BDM-78	77-3/4	50

ALL DIMENSIONS IN INCHES. WEIGHTS IN LBS.

NOTES:

- Motors are available in 115, 230, or 460 voltage.
- Wood nailer must be supplied on 9-1/2" high curb.
- Max operating temperature 130°F (50°C).
- BDM-36 and larger use two motors.
- BDM-66 and larger use six motors.

X0202R07