



# COOK

# Backdraft Damper

DATE: \_\_\_\_\_

Automatic

PROJECT: \_\_\_\_\_

DB, SDB, DBX, TDB

LOCATION: \_\_\_\_\_

SQND, SQNB, SQN-HP, SQID, SQIB

**DIMENSION DATA**

Size	DB, SDB, DBX, TDB		SQN-D (square)		SQN-B (square)		SQN-HP (square)		SQID (square)		SQIB (square)	
	E (HxW)	Ship Wt.	E	Ship Wt.	E	Ship Wt.	E	Ship Wt.	E	Ship Wt.	E	Ship Wt.
8	7-7/8 X 9-1/4	1	-	-	-	-	-	-	-	-	-	-
9	10-5/16 X 11-7/8	2	-	-	-	-	-	-	-	-	-	-
10	11-3/8 X 13-1/8	3	-	-	-	-	-	-	-	-	-	-
13	13-7/16 X 15-5/8	3	-	-	-	-	-	-	-	-	-	-
15	15-7/8 X 18-5/8	4	-	-	-	-	-	-	-	-	-	-
18	18-7/8 X 21-7/8	4	-	-	-	-	-	-	-	-	-	-
60	-	-	-	-	11-3/4	2	-	-	-	-	-	-
70	-	-	9-3/4	1	11-3/4	2	-	-	9-7/8	1	-	-
80	-	-	-	-	11-3/4	2	-	-	12-3/4	2	-	-
90	-	-	11-3/4	2	-	-	-	-	14-3/16	2	14-3/16	2
100	11-3/8 X 13-1/8	3	11-3/4	2	11-3/4	2	-	-	-	-	-	-
120	-	-	15-3/4	2	15-3/4	2	-	-	17-1/8	3	17-1/8	3
135	13-7/16 X 15-5/8	3	17-3/4	3	17-3/4	3	17-3/4	3	19-3/8	3	19-3/8	3
150	15-7/8 X 18-5/8	4	19-3/4	3	19-3/4	3	19-3/4	3	21-3/8	4	21-3/8	4
165	-	-	21-3/4	4	21-3/4	4	21-3/4	4	23-9/16	5	23-9/16	5
180	18-7/8 X 21-7/8	4	-	-	23-3/4	5	23-3/4	5	-	-	25-3/4	5
195	-	-	-	-	25-3/4	5	25-3/4	5	-	-	27-15/16	6
210	24-3/4 X 24-3/4	5	-	-	27-3/4	6	27-3/4	6	-	-	30-1/8	6
225	-	-	-	-	29-3/4	6	29-3/4	6	-	-	32-1/4	7
245	27-1/4 X 27-1/4	6	-	-	32-3/4	7	32-3/4	7	-	-	35-1/8	10
270	-	-	-	-	36-3/16	11	36-3/16	11	-	-	38-3/4	12
300	-	-	-	-	39-3/4	13	39-3/4	13	-	-	43-1/8	14
330	-	-	-	-	43-3/4	14	43-3/4	14	-	-	47-3/8	16
365	-	-	-	-	45-3/4	15	45-3/4	15	-	-	52-1/2	18
402	-	-	-	-	50-1/2	17	50-1/2	17	-	-	58-1/4	20

ALL DIMENSIONS IN INCHES.

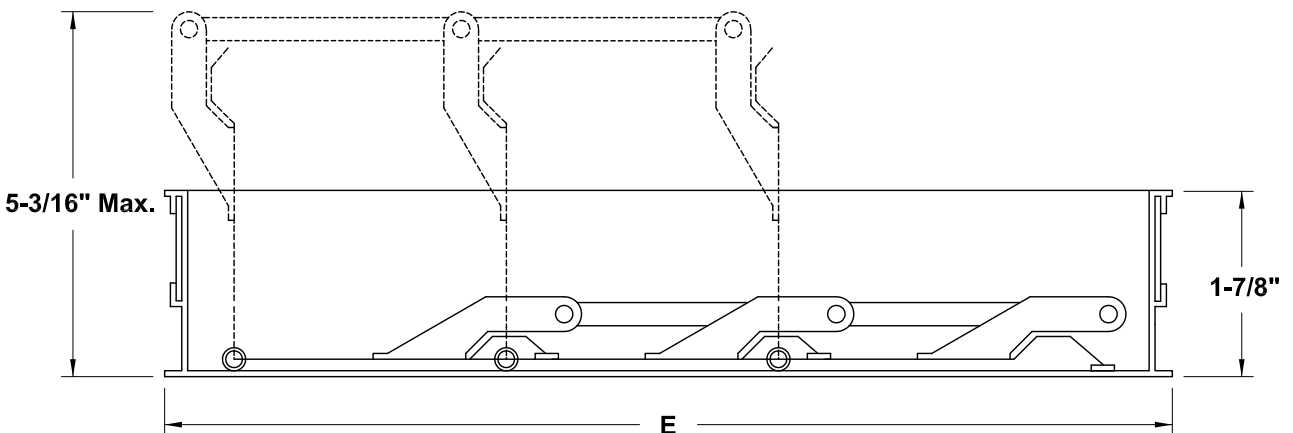
**STANDARD CONSTRUCTION FEATURES:**

.020 aluminum blades - .060 aluminum frame -

Aluminum hinge pins - Nylon bushings.

**Note:**

1. All dimensions are O.D.
2. TDB - 2 required per unit.



X0207R07