



DATE: _____

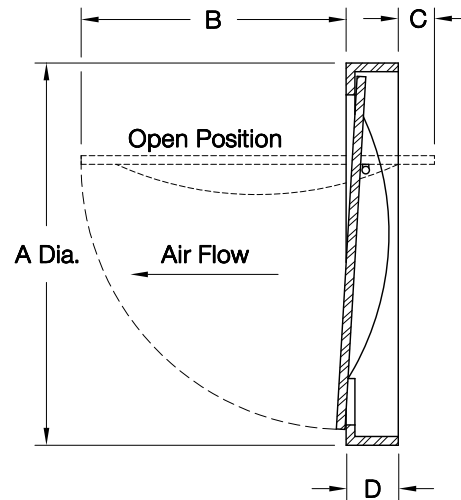
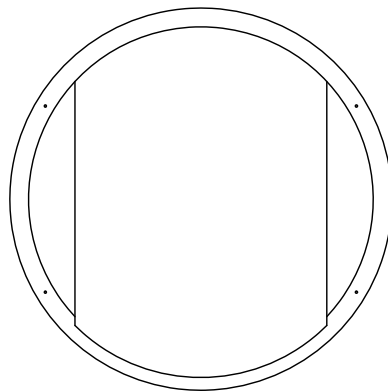
PROJECT: _____

LOCATION: _____

Accessory Data Sheet

Damper

ACW



STANDARD CONSTRUCTION FEATURES:

Aluminum frame – Aluminum blades –
Aluminum hinge pin w/brass bushings.

DIMENSION DATA

Size	Cat. No.	A Dia.	B	C	D	No. of Blades	Wall Opening	Ship Wt.
70	D-8	7-15/16	4-1/2	2	3/4	1	8	1
90, 100	D-10	9-15/16	5-3/4	2-3/4	3/4	1	10	1
120, 135	D-12	11-15/16	7	3	3/4	1	12	2
150, 165	D-14	13-15/16	8-1/2	4	3/4	1	14	2
180	D-18	17-15/16	4	3	3/4	2	18	3
195, 210, 225, 245	D-22	21-15/16	5-1/2	2-1/2	1	3	22	4

ALL DIMENSIONS IN INCHES.

NOTE: MAXIMUM VELOCITY = 1500 FPM