

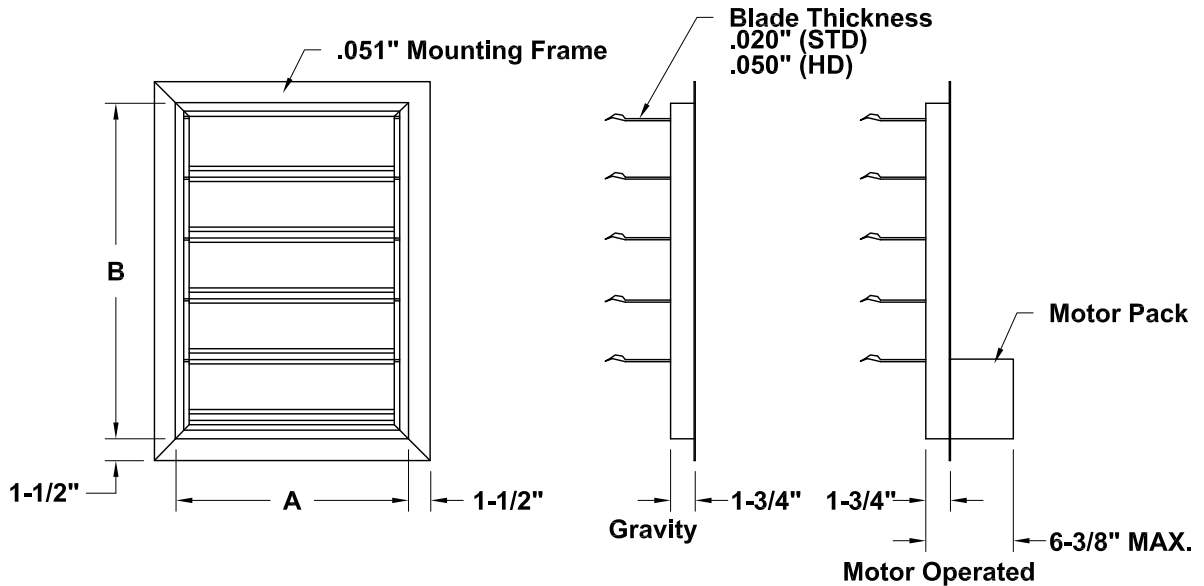


COOK

Discharge Shutter

DATE: _____
 PROJECT: _____
 LOCATION: _____

Accessory Data Sheet
 Aluminum Construction
 CP, CA/CF SWSI



DIMENSION DATA

CP Size	CA/CF SWSI Size	Shutter Model Number*				A	B	Shipping Wt.			
		Gravity		Motor Operated				Gravity		Motor Operated	
		Std. Duty	Hvy. Duty	Std. Duty	Hvy. Duty			Std. Duty	Hvy. Duty	Std. Duty	Hvy. Duty
100	-	ADSS-100	ADSH-100	MDSS-100	MDSH-100	7-3/8	10-3/4	2	3	7	8
120	120	ADSS-120	ADSH-120	MDSS-120	MDSH-120	9	12-15/16	3	4	8	9
135	135	ADSS-135	ADSH-135	MDSS-135	MDSH-135	10-1/8	14-9/16	3	4	8	9
150	150	ADSS-150	ADSH-150	MDSS-150	MDSH-150	11-1/4	16-1/4	4	5	9	10
165	165	ADSS-165	ADSH-165	MDSS-165	MDSH-165	12-3/8	17-13/16	4	6	9	11
180	180	ADSS-180	ADSH-180	MDSS-180	MDSH-180	13-1/2	19-7/16	4	6	9	11
195	195	ADSS-195	ADSH-195	MDSS-195	MDSH-195	14-11/16	21-1/16	5	7	10	12
210	210	ADSS-210	ADSH-210	MDSS-210	MDSH-210	15-13/16	22-3/4	6	8	11	13
225	225	ADSS-225	ADSH-225	MDSS-225	MDSH-225	16-15/16	24-3/8	6	9	11	14
245	245	ADSS-245	ADSH-245	MDSS-245	MDSH-245	18-1/2	26-9/16	7	11	12	16
270	270	ADSS-270	ADSH-270	MDSS-270	MDSH-270	20-5/8	29-9/16	8	12	13	17
300	300	ADSS-300	ADSH-300	MDSS-300	MDSH-300	22-15/16	32-13/16	9	14	14	19
330	330	ADSS-330	ADSH-330	MDSS-330	MDSH-330	25-1/4	36-1/8	10	17	15	22
365	365	ADSS-365	ADSH-365	MDSS-365	MDSH-365	27-7/8	39-15/16	12	19	17	24
402	402	ADSS-402	ADSH-402	MDSS-402	MDSH-402	30-3/4	44-1/16	13	21	18	26
445	445	ADSS-445	ADSH-445	MDSS-445	MDSH-445	34	48-11/16	15	23	20	28
490	490	ADSS-490	ADSH-490	MDSS-490	MDSH-490	37-7/16	53-5/8	21	35	26	40
-	540	ADSS-540	ADSH-540	MDSS-540	MDSH-540	41-1/4	59-1/16	23	39	28	44
-	600	ADSS-600	ADSH-600	MDSS-600	MDSH-600	45-13/16	65-5/8	27	43	42	53
-	660	ADSS-660	ADSH-660	MDSS-660	MDSH-660	50-7/16	72-3/16	37	65	47	75
-	730	ADSS-730	ADSH-730	MDSS-730	MDSH-730	55-3/4	79-7/8	45	73	55	83

ALL DIMENSIONS IN INCHES. WEIGHTS IN LBS.

*Use standard duty shutter for discharge velocities of 0-2000 FPM. Motor Operated Dampers required for velocities below 400 FPM. Use heavy duty shutter for discharge velocities of 2000-3000 FPM. Velocities above 3000 FPM, contact factory.

STANDARD CONSTRUCTION FEATURES:

Blades are roll formed 5052 aluminum (Std.) or extruded 6063 T6 aluminum (Hvy.). Blades have vinyl edge gasket. Damper frame is extruded 6063 T6 aluminum. Extruded aluminum blade link bar connects each blade for uniform blade positioning. Blades pivot on full width extruded aluminum blade hanger for added strength.

NOTES: 1) One actuator required for motorizing thru size 540. Two required on sizes 600-730.

2) Actuators available in voltages - 24, 115, 230 and 460 VAC.