



COOK CFS - Gravity Intake Damper

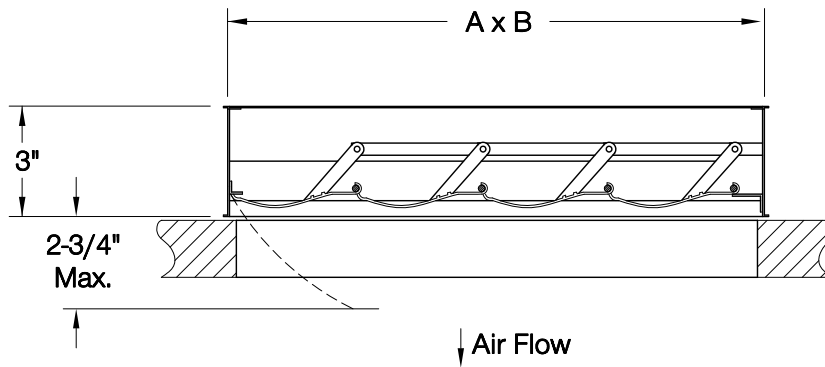
DATE: _____

Gravity Intake Center Pivot Damper

PROJECT: _____

CFS Filtered Supply Units

LOCATION: _____



STANDARD CONSTRUCTION FEATURES:

.062 aluminum blades - .050 aluminum frame -
 .188 zinc pivots - Self-lubricating nylon bushings.

DIMENSION DATA

| Qty | Mark | Unit Size | A | B | Ship Wt. |
|-----|------|-----------|----------|----------|----------|
| | | 120 | 17-11/16 | 12-1/8 | 11 |
| | | 135 | 19-15/16 | 13-5/8 | 13 |
| | | 150 | 22 | 15-1/4 | 16 |
| | | 165 | 24 | 16-15/16 | 19 |
| | | 180 | 26-1/16 | 18-1/2 | 22 |
| | | 195 | 28-7/16 | 19-1/2 | 24 |
| | | 210 | 30-3/8 | 21-5/8 | 26 |
| | | 225 | 32-1/2 | 23-3/16 | 29 |
| | | 245 | 35-1/16 | 25-1/2 | 32 |
| | | 270 | 39-7/16 | 27-1/2 | 36 |
| | | 300 | 43 | 31-3/16 | 39 |
| | | 330 | 47-1/16 | 34-1/2 | 45 |
| | | 365 | 52-3/16 | 38-11/16 | 49 |

ALL DIMENSIONS IN INCHES. WEIGHTS IN LBS.