

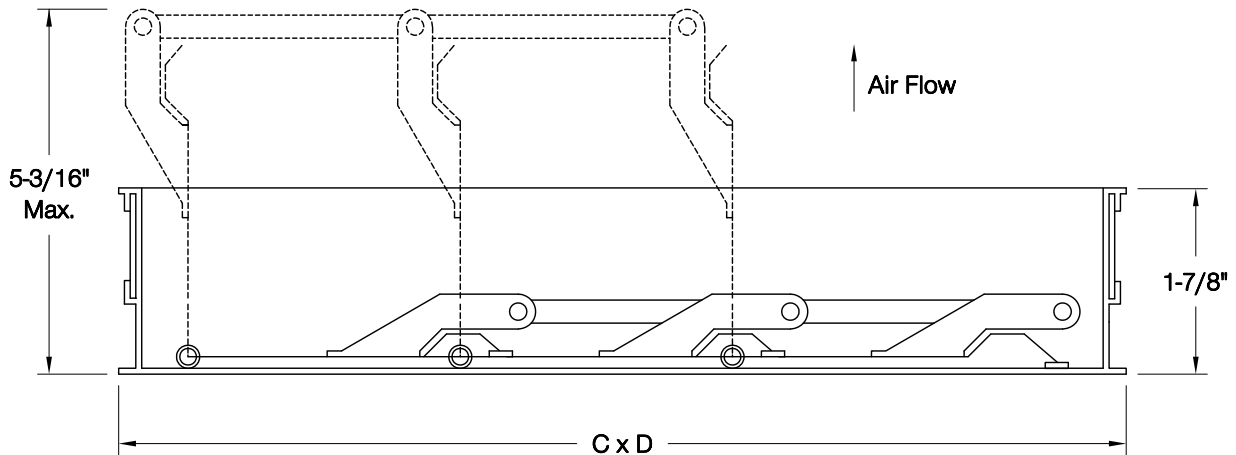


DATE: _____

PROJECT: _____

LOCATION: _____

Gravity Backdraft Damper TRE and GR Gravity Units



STANDARD CONSTRUCTION FEATURES:

.020 aluminum blades – .060 aluminum frame –
Aluminum hinge pins – Nylon bushings.

DIMENSION DATA

Qty	Model No.*	Mark	Unit Type	Unit Throat Size		Damper Size	
				A	B	C	D

ALL DIMENSIONS IN INCHES.

*The damper model no. is formed from the width (C) and length (D) dimensions of the damper. For a 24 x 36 GR, the backdraft damper model no. is BD – 23.5 x 35.5 (BD – C x D).

NOTES:

Max operating temperature 200°F (95°C).

Damper sizing:

GR damper sizing: Curb mounted – Width and length of damper is 1/2" smaller than width and length of unit throat

$$(C = A - 1/2, D = B - 1/2)$$

TRE damper sizing: Throat mounted – Width and length of damper is 1-1/2" larger than width and length of unit throat

$$(C = A + 1-1/2, D = B + 1-1/2)$$

(Optional) Curb mounted – Width and length of damper is 1/2" smaller than width and length of unit throat

$$(C = A - 1/2, D = B - 1/2)$$