



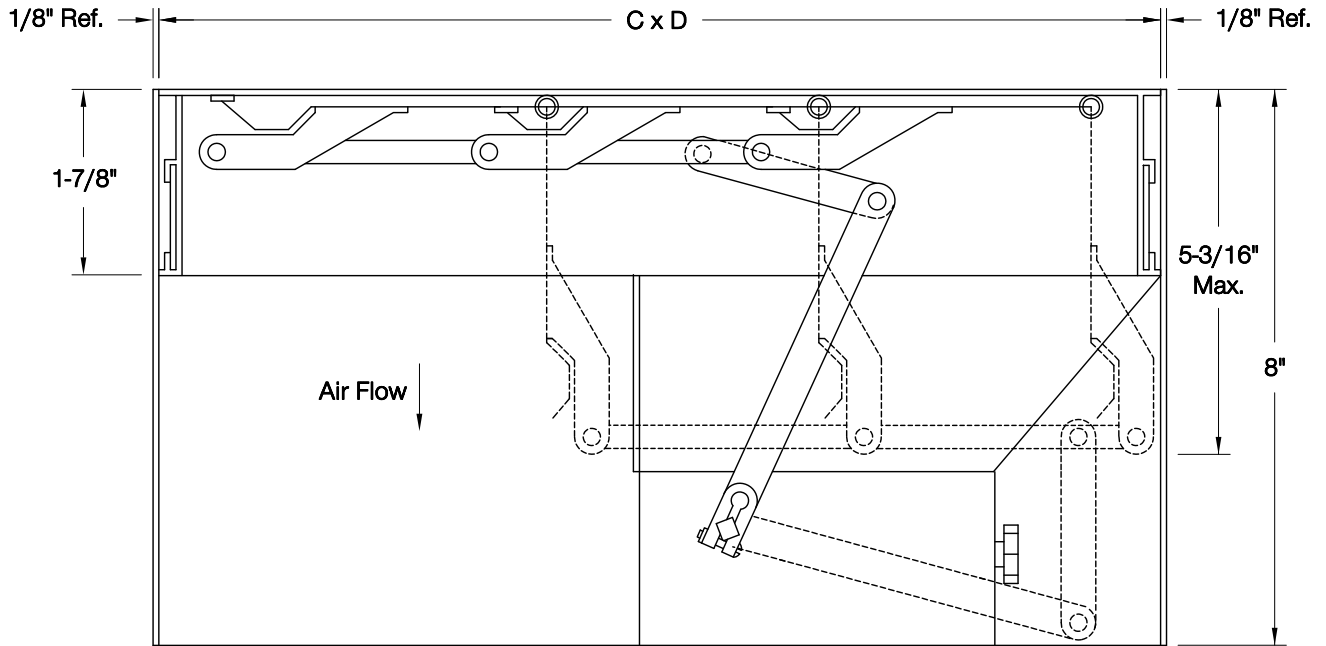
DATE: _____

Motorized Intake Backdraft Damper

PROJECT: _____

TRE and GI Gravity Units

LOCATION: _____



STANDARD CONSTRUCTION FEATURES:

.020 aluminum blades – .060 aluminum frame – .080 aluminum wrapper – Spring return to close – Aluminum hinge pins – Nylon bushings – Non-overloading motor.

DIMENSION DATA

Qty	Model No.*	Mark	Unit Type	Unit Throat Size		Damper Size	
				A	B	C	D

ALL DIMENSIONS IN INCHES.

*The damper model no. is formed from the width (C) and length (D) dimensions of the damper. For a 24 x 36 GI, the motorized intake damper model no. is BDMI – 23.75 x 35.75 (BDMI – C x D).

NOTES:

Max operating temperature 130°F (50°C).

Damper sizing:

GI damper sizing: Curb mounted – Width and length of damper is $1/2"$ smaller than width and length of unit throat
($C = A - 1/2$, $D = B - 1/2$)

TRE damper sizing: Throat mounted – Width and length of damper is $1-1/2"$ larger than width and length of unit throat
($C = A + 1-1/2$, $D = B + 1-1/2$)

(Optional) Curb mounted – Width and length of damper is $1/2"$ smaller than width and length of unit throat
($C = A - 1/2$, $D = B - 1/2$)

Motors are available in 24, 115, 230, or 460 voltage.